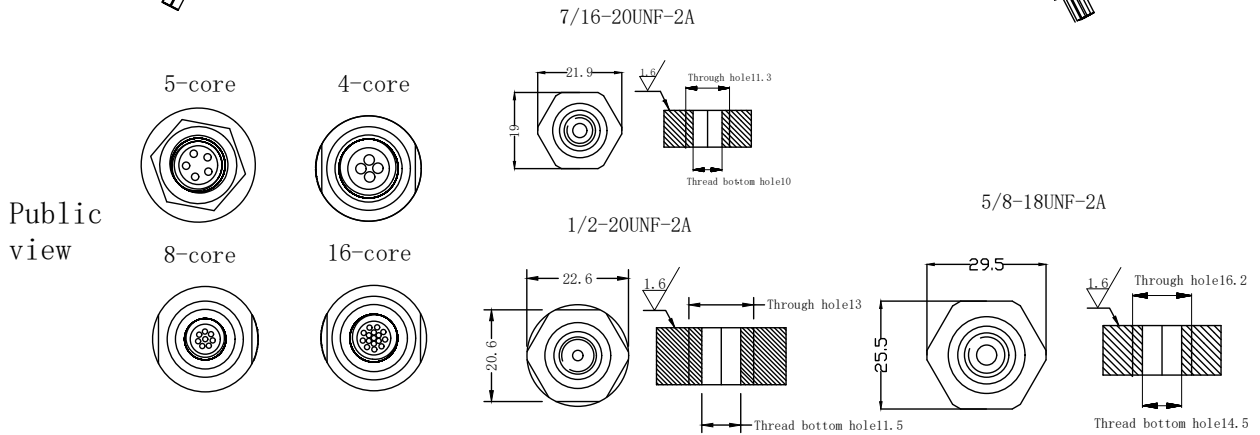
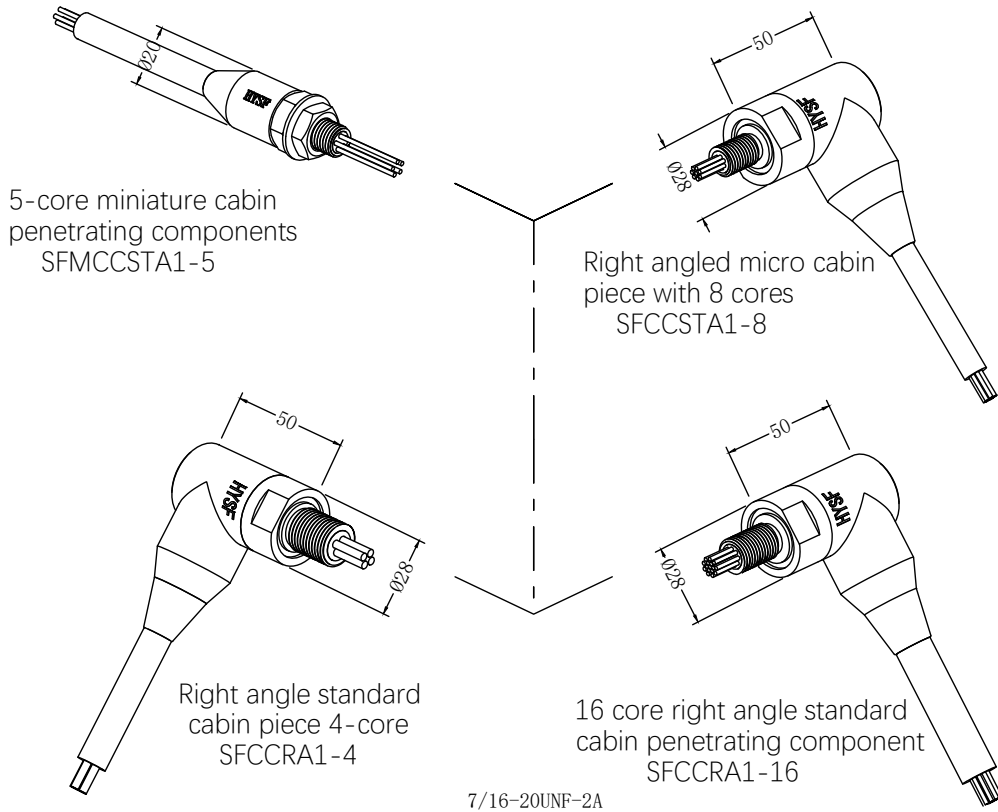


## Waterproof connector for cabin components



Waterproof connector for cabin components

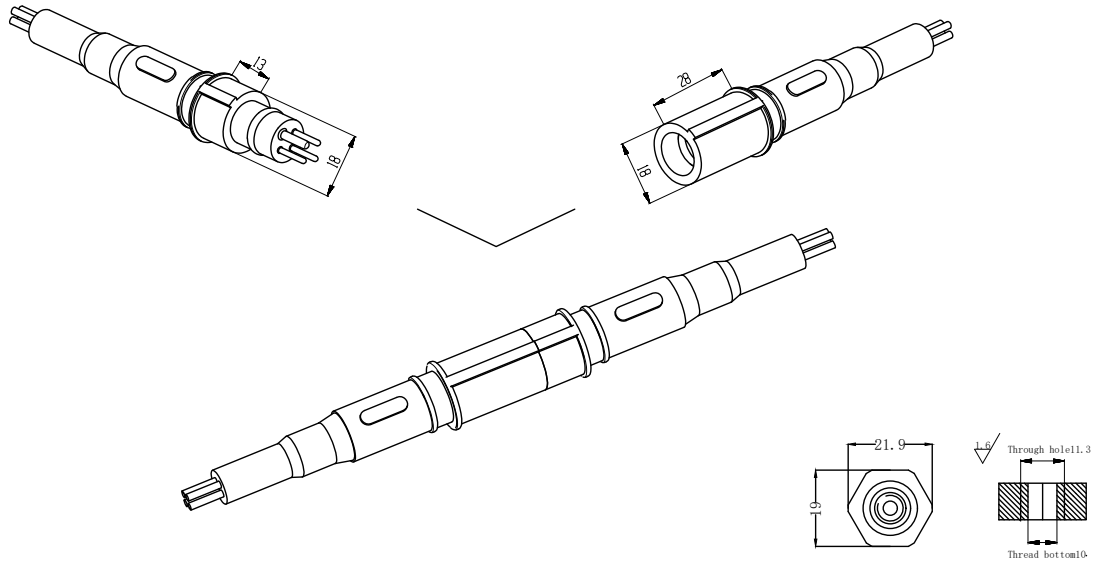
Customizable according to requirements

Main parameters:  
 2-8 core electrical parameters for cabin penetrating components:  
 Rated voltage: 600V AC/DC  
 Rated current: Different models vary  
 Insulation resistance: > 200 MΩ  
 Contact resistance: < 0.01 Ω  
 Wet plugging and unplugging times: >500 times  
 Working temperature: -60° ~ +80°  
 Working depth: 6000 meters (60 MPa)

Material parameters:  
 Plug body: chloroprene rubber  
 Socket body: 316L stainless steel, titanium alloy  
 Gold, sea copper  
 Cable body: Polyurethane  
 Needle core: Copper plated with gold  
 Installation requirements:  
 Installation radius: 15  
 Surface smoothness: Ra1.6

Dimension units: millimeter  
 Thread unit: inch  
 Installation thread: 7/16-20UNF-2A  
 Thread length: 25.4mm  
 Threads can be customized: 1/2, 5/8, 7/16

RMG/Penetration hatch parts/Fixture



Main parameters:

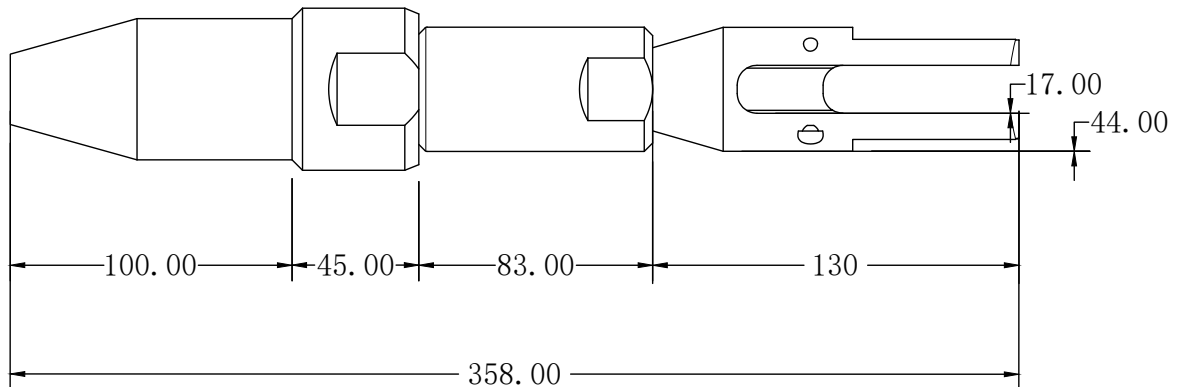
Electrical parameters of  
 Penetration hatch parts: 550V @ 10A  
 Insulation resistance: >200 MΩ  
 contact resistance: <0.01Ω  
 Wet plug and pull times: >500次  
 Operating temperature: -60° ~ +80° C  
 Working depth: 6000M(60 MPa)

Material parameters:

Plug body: Neoprene  
 Socket body: 316L stainless steel,  
 Titanium alloy, Sea copper  
 Cable body: Polyurethane, Neoprene  
 Needle core: Copper gilding  
 Installation requirements:  
 Installation radius: 15  
 Surface finish: Ra1.6

Dimension units: millimeter  
 Thread unit: inch  
 Mounting thread: 7/16-20UNF-2A  
 Thread length: 16mm

Can be customized upon request



Fixture Material: Aviation aluminum hard anodized

Tensile 2.0T