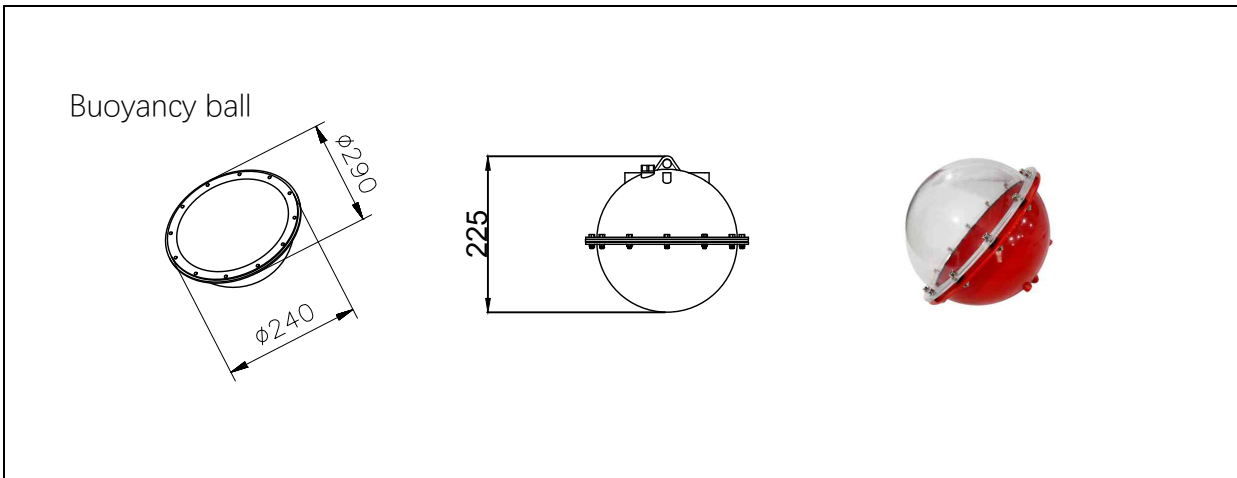


HYSF SUBSEA



Material: PC (polycarbonate)
 Product weight: 1.25Kg



Performance indicators of epoxy based glass microsphere solid buoyancy material series products

Project	Model	Density g/cm ³	Applicable depth (m)	Water absorption rate (24H)	Pressure resistance strength (MP3)	Net buoyancy (kg/m ³)
Conventional performance	HL-360	0.36	200	≤1%	≥8	640
	HL-380	0.38	300	≤1%	≥13	620
	HL-400	0.4	500	≤1%	≥16	600
	HL-420	0.42	700	≤1%	≥21	580
	HL-450	0.45	1000	≤1%	≥24	550
	HL-480	0.48	2000	≤1%	≥27	520
	HL-510	0.51	3000	≤1%	≥41	490
	HL-540	0.54	4500	≤1%	≥55	460
High performance	HL-630	0.63	6000	≤1%	≥75	370
	HL-420S	0.42	1200	≤1%	≥28	580
	HL-430S	0.43	1500	≤1%	≥34	570
	HL-570S	0.57	6000	≤1%	≥85	430

Note: The density of the buoyancy material products developed is not limited to the above models, and the density and strength design can be carried out according to the user's water depth requirements to meet actual usage requirements.