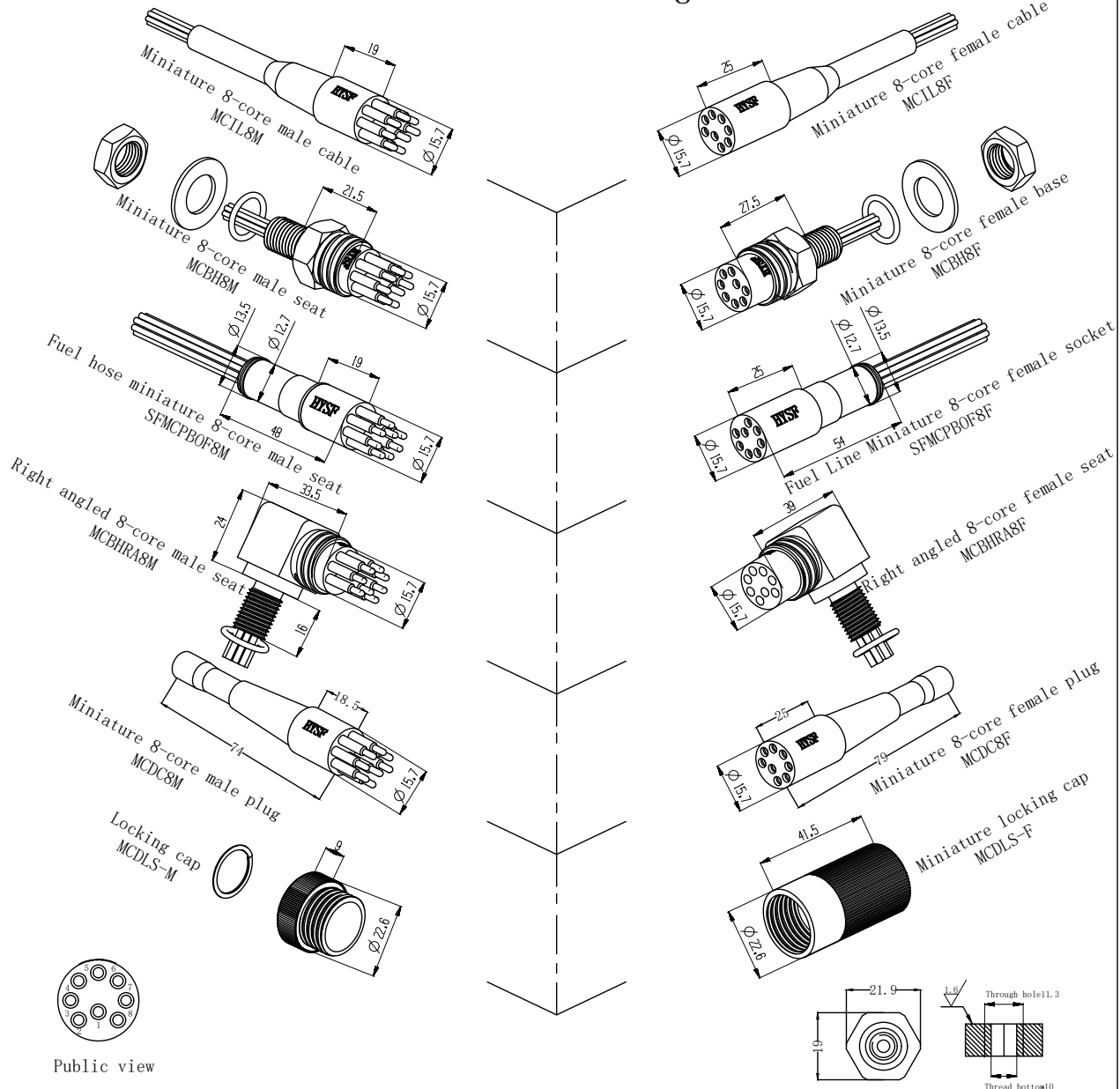


Miniature 8-core watertight connector



Miniature 8-core cable plug Color:

1: Red	2: Black
3: Yellow	4: Blue
5: orange	6: Brown
7: purple	8: green

Main parameters:

Electrical parameters of miniature 8-core: 550V @ 10A
 Insulation resistance: >200 MΩ
 contact resistance: <0.01 Ω
 Wet plug and pull times: >500次
 Operating temperature: -60° ~ +80° C
 Working depth: 6000M(60 MPa)

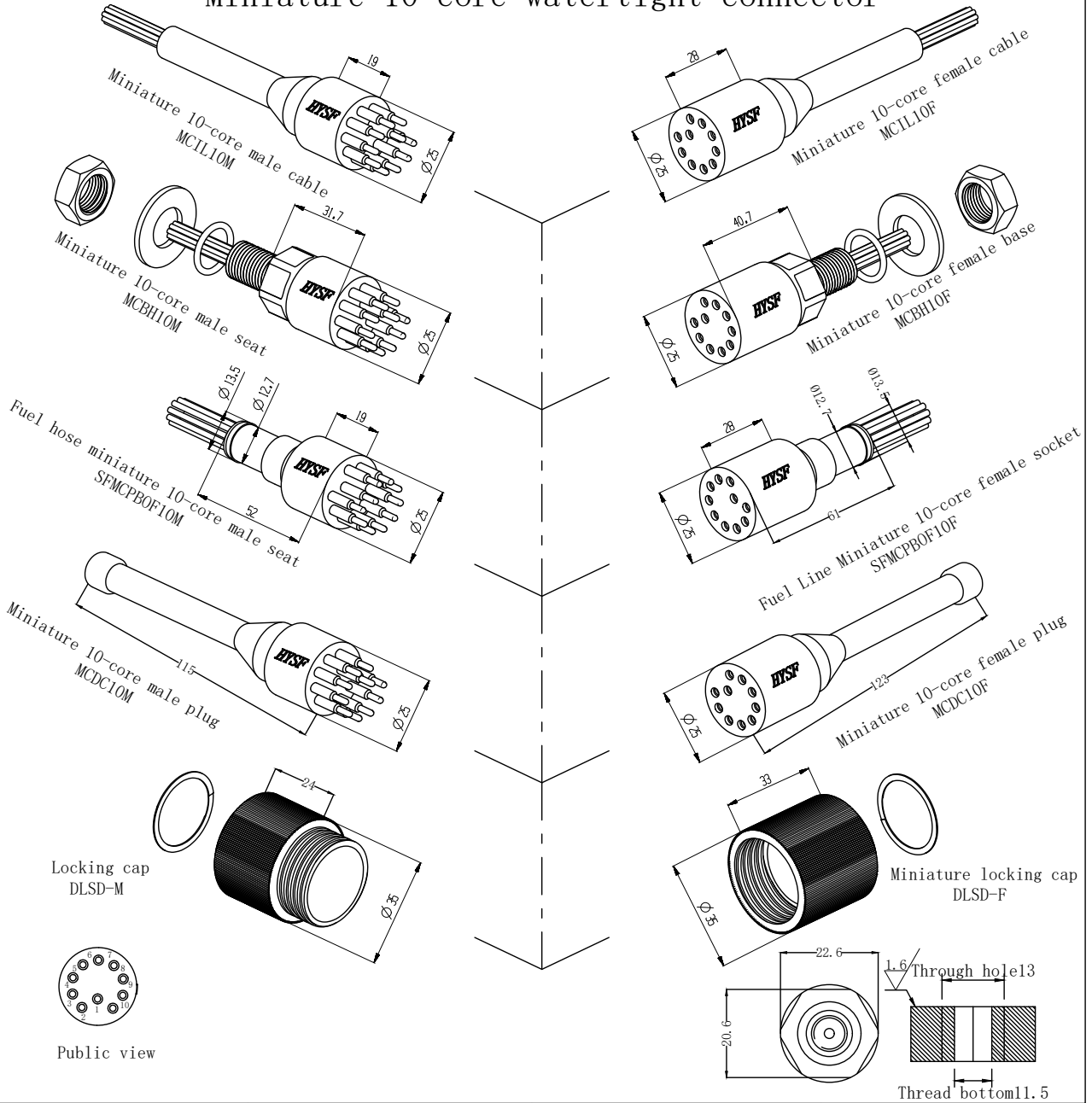
Material parameters:

Plug body: Neoprene
 Socket body: 316L stainless steel, Titanium alloy, Sea copper
 Cable body: Polyurethane, Neoprene
 Needle core: Copper gilding
 Installation requirements:
 Installation radius: 12.5
 Surface finish: Ra1.6

Dimension units: millimeter
 Thread unit: inch
 Mounting thread: 7/16-20UNF-2A
 Thread length: 16mm

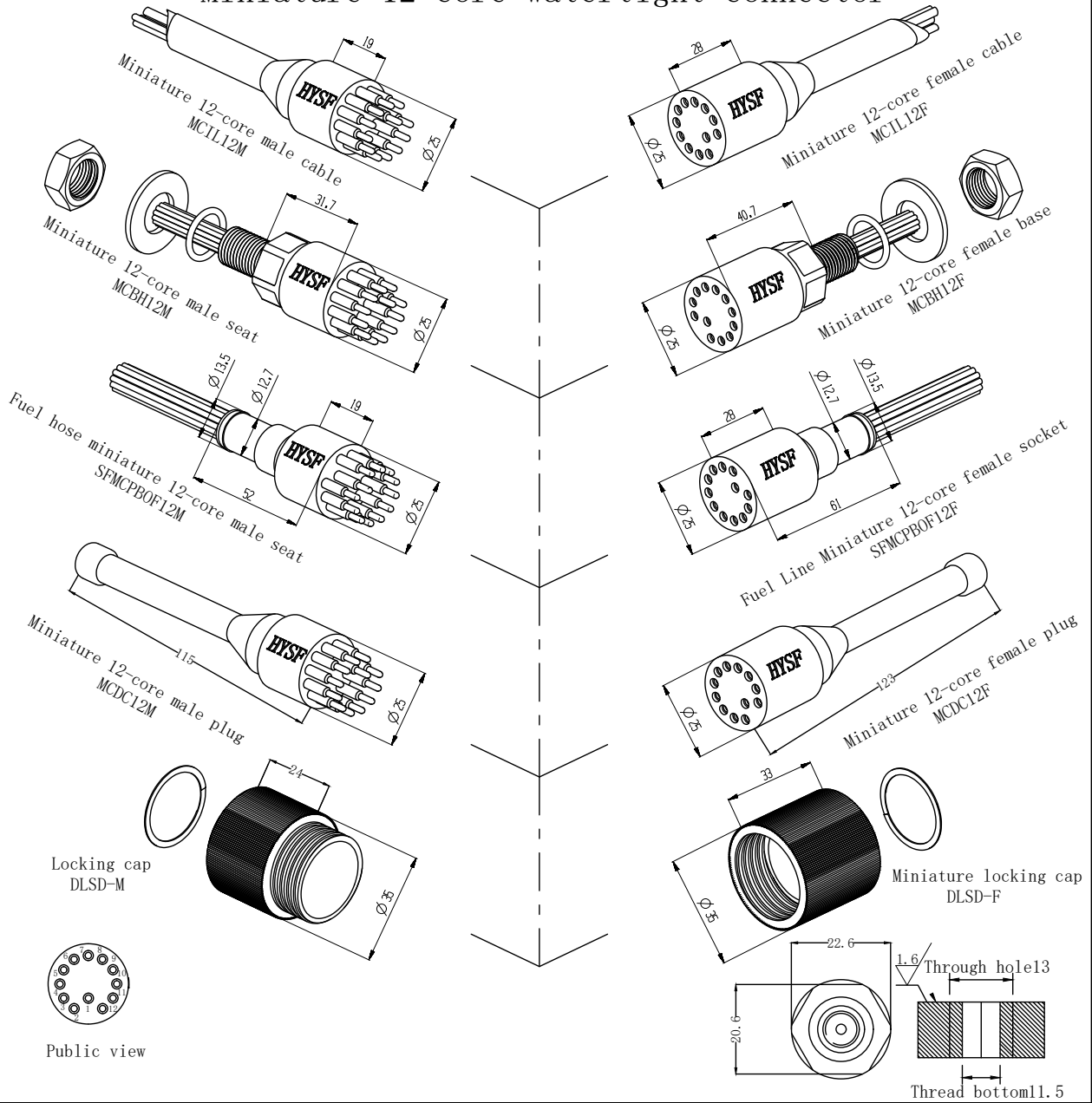
Miniature 8-core customizable Ethernet
 Can be customized upon request

Miniature 10-core watertight connector



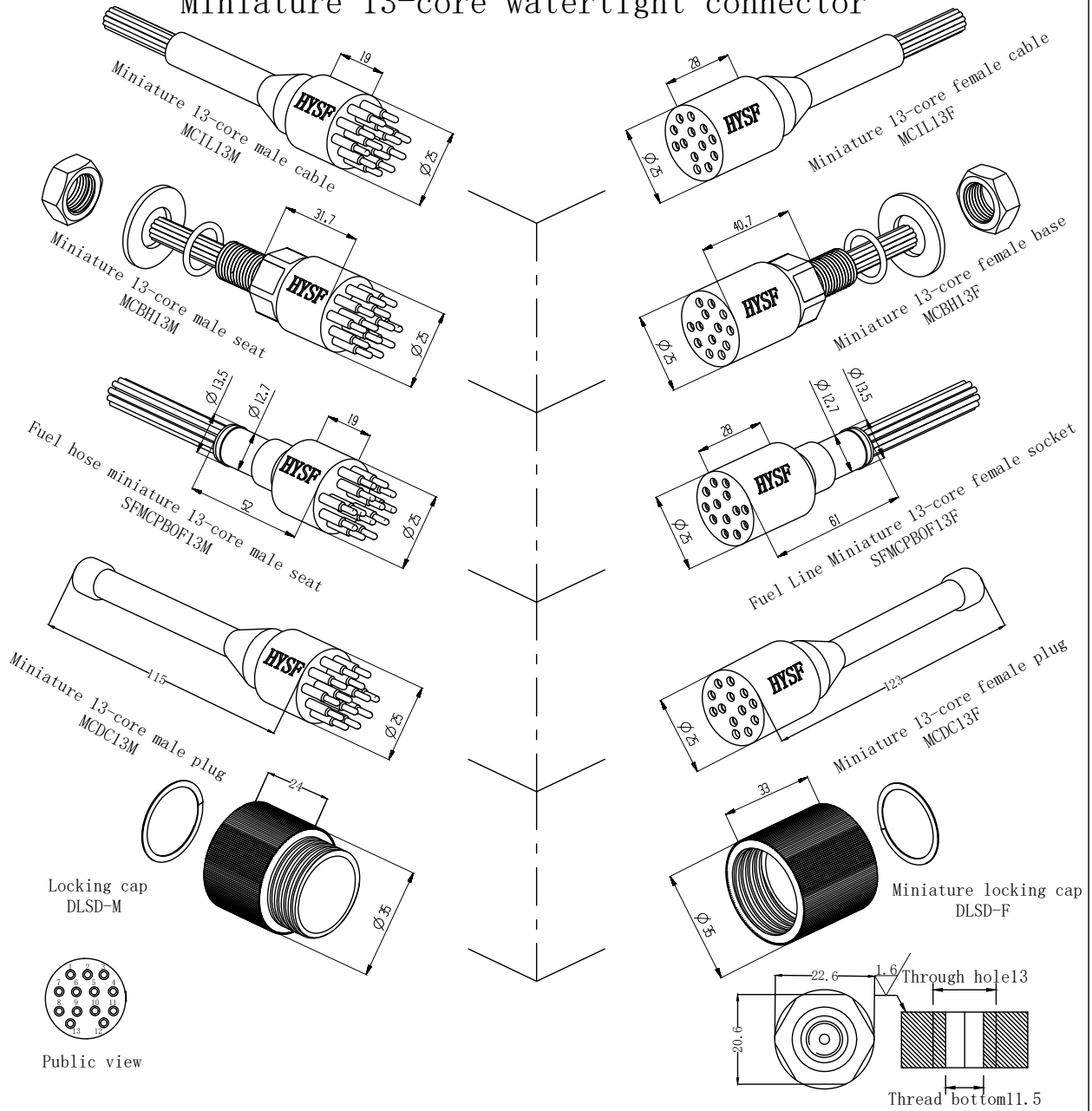
<p>Miniature 10-core cable plug Color:</p> <table border="1"> <tr> <td>1: Red</td> <td>2: Red and white</td> </tr> <tr> <td>3: Black</td> <td>4: Black and white</td> </tr> <tr> <td>5: yellow</td> <td>6: Yellow and white</td> </tr> <tr> <td>7: Blue</td> <td>8: Blue and white</td> </tr> <tr> <td>9: Orange</td> <td>10: Orange and white</td> </tr> </table>	1: Red	2: Red and white	3: Black	4: Black and white	5: yellow	6: Yellow and white	7: Blue	8: Blue and white	9: Orange	10: Orange and white	<p>Main parameters:</p> <p>Electrical parameters of miniature 10-core: 550V @ 10A Insulation resistance: >200 MΩ contact resistance: <0.01Ω Wet plug and pull times: >500次 Operating temperature: -60° ~ +80° C Working depth: 6000M(60 MPa)</p>	<p>Material parameters:</p> <p>Plug body: Neoprene Socket body: 316L stainless steel, Titanium alloy, Sea copper Cable body: Polyurethane, Neoprene Needle core: Copper gilding Installation requirements: Installation radius: 18.8 Surface finish: Ra1.6</p>	<p>Dimension units: millimeter Thread unit: inch Mounting thread: 1/2-20UNF-2A Thread length: 19mm</p> <p>Miniature 10-core customizable Ethernet</p> <p>Can be customized upon request</p>
1: Red	2: Red and white												
3: Black	4: Black and white												
5: yellow	6: Yellow and white												
7: Blue	8: Blue and white												
9: Orange	10: Orange and white												

Miniature 12-core watertight connector



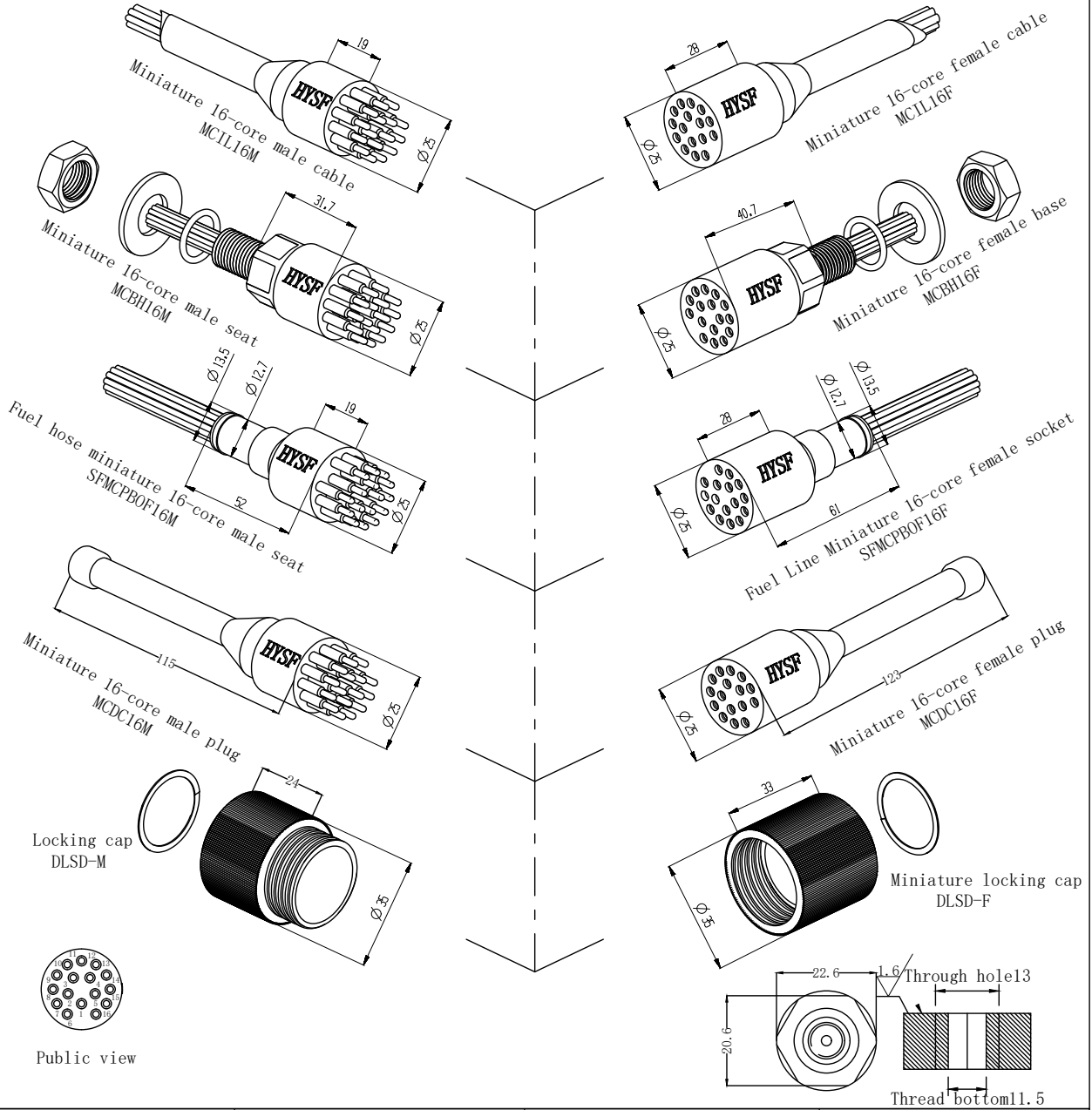
<p>Miniature 12-core cable plug Color:</p> <table border="1"> <tr> <td>1: Red</td> <td>2: Red and white</td> </tr> <tr> <td>3: Black</td> <td>4: Black and white</td> </tr> <tr> <td>5: yellow</td> <td>6: Yellow and white</td> </tr> <tr> <td>7: Blue</td> <td>8: Blue and white</td> </tr> <tr> <td>9: Orange</td> <td>10: Orange and white</td> </tr> <tr> <td>11: Brown</td> <td>12: Brown and white</td> </tr> </table>	1: Red	2: Red and white	3: Black	4: Black and white	5: yellow	6: Yellow and white	7: Blue	8: Blue and white	9: Orange	10: Orange and white	11: Brown	12: Brown and white	<p>Main parameters:</p> <p>Electrical parameters of miniature 12-core: 550V @ 10A Insulation resistance: >200 MΩ contact resistance: <0.01Ω Wet plug and pull times: >500次 Operating temperature: -60° ~ +80° C Working depth: 6000M (60 MPa)</p>	<p>Material parameters:</p> <p>Plug body: Neoprene Socket body: 316L stainless steel, Titanium alloy, Sea copper Cable body: Polyurethane, Neoprene Needle core: Copper gilding Installation requirements: Installation radius: 18.8 Surface finish: Ra1.6</p>	<p>Dimension units: millimeter Thread unit: inch Mounting thread: 1/2-20UNF-2A Thread length: 19mm</p> <p>Miniature 12-core customizable Ethernet</p> <p>Can be customized upon request</p>
1: Red	2: Red and white														
3: Black	4: Black and white														
5: yellow	6: Yellow and white														
7: Blue	8: Blue and white														
9: Orange	10: Orange and white														
11: Brown	12: Brown and white														

Miniature 13-core watertight connector



<p>Miniature 13-core cable plug Color:</p> <ol style="list-style-type: none"> 1: Red (Coarse) 2: Black (Coarse) 3: Yellow (Coarse) 4: Blue (Coarse) 5: Brown (Coarse) 6: Orange and white 7: Orange 8: Green and white 9: Blue 10: Blue and white 11: Green 12: Brown and white 13: Brown 	<p>Main parameters:</p> <p>Electrical parameters of miniature 13-core: 550V @ 10A Insulation resistance: >200 MΩ contact resistance: <0.01 Ω Wet plug and pull times: >500次 Operating temperature: -60° ~ +80° C Working depth: 6000M(60 MPa)</p>	<p>Material parameters:</p> <p>Plug body: Neoprene Socket body: 316L stainless steel, Titanium alloy, Sea copper Cable body: Polyurethane, Neoprene Needle core: Copper gilding Installation requirements: Installation radius: 18.8 Surface finish: Ra1.6</p>	<p>Dimension units: millimeter Thread unit: inch Mounting thread: 1/2-20UNF-2A Thread length: 19mm</p> <p>Miniature 13-core customizable Ethernet</p> <p>Can be customized upon request</p>
--	---	--	--

Miniature 16-core watertight connector



<p>Miniature 16-core cable plug Color:</p> <p>1: Red 2: Red and white 3: Black 4: Black and white 5: Yellow 6: Yellow and white 7: Blue 8: Blue and white 9: Orange 10: Orange and white 11: Brown 12: Brown and white 13: Purple 14: Purple and white 15: Green 16: Green and white</p>	<p>Main parameters:</p> <p>Electrical parameters of miniature 16-core: 550V @ 10A Insulation resistance: >200 MΩ contact resistance: <0.01 Ω Wet plug and pull times: >500次 Operating temperature: -60° ~ +80° C Working depth: 6000M(60 MPa)</p>	<p>Material parameters:</p> <p>Plug body: Neoprene Socket body: 316L stainless steel, Titanium alloy, Sea copper Cable body: Polyurethane, Neoprene Needle core: Copper gilding Installation requirements: Installation radius: 18.8 Surface finish: Ra1.6</p>	<p>Dimension units: millimeter Thread unit: inch Mounting thread: 1/2-20UNF-2A Thread length: 19mm</p> <p>Can be customized upon request</p>
---	---	--	---