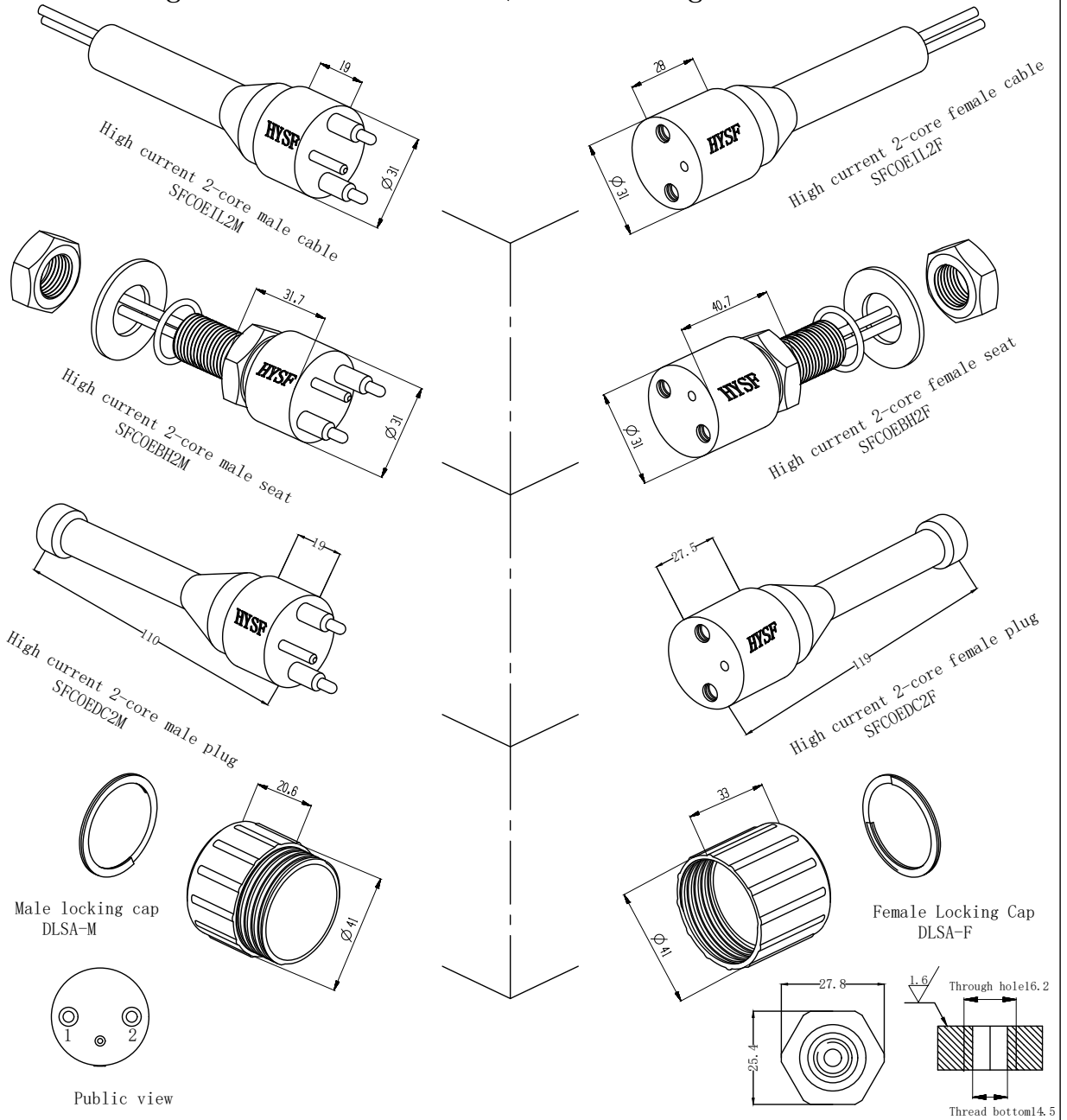


### High current 2-core 5/8 watertight connector



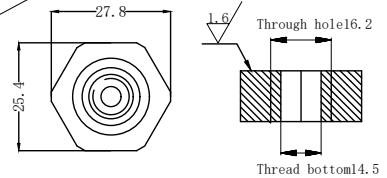
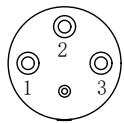
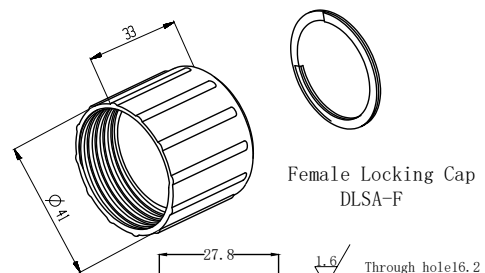
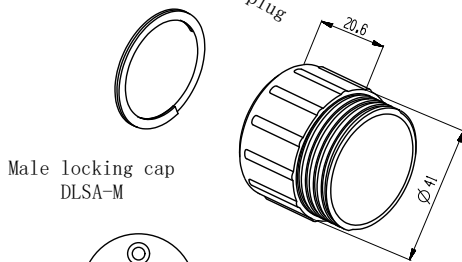
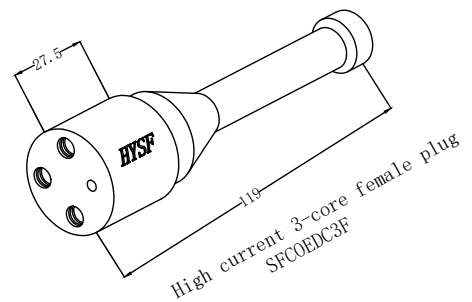
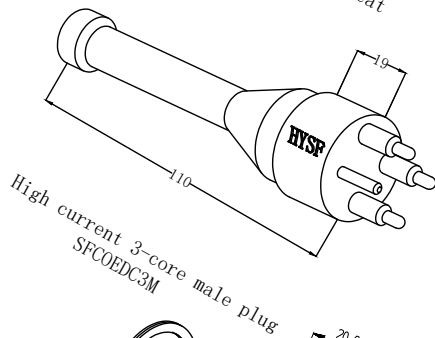
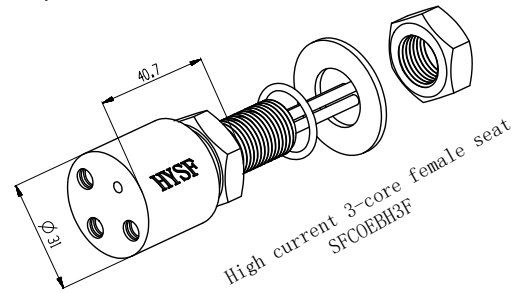
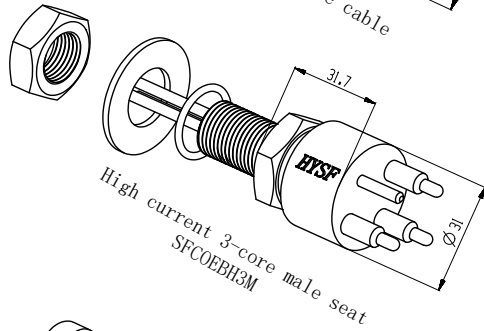
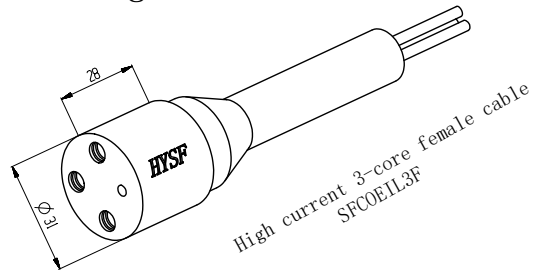
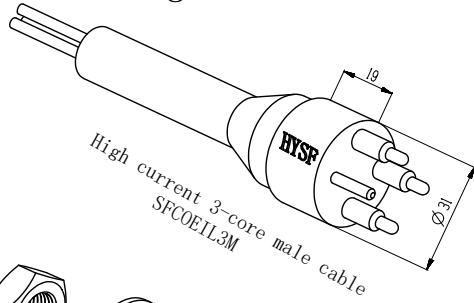
High current 2-core cable plug color:  
1: Red 2: Black

Main parameters:  
Electrical parameters of High current 2-core: 550V @ 30A  
Insulation resistance: >200 MΩ  
contact resistance: <0.01Ω  
Wet plug and pull times: >500次  
Operating temperature: -60° ~ +80° C  
Working depth: 6000M (60 MPa)

Material parameters:  
Plug body: Neoprene  
Socket body: 316L stainless steel, Titanium alloy, Sea copper  
Cable body: Polyurethane, Neoprene  
Needle core: Copper gilding  
Installation requirements:  
Installation radius: 21.9  
Surface finish: Ra1.6

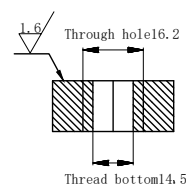
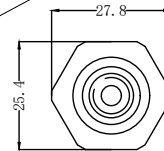
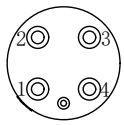
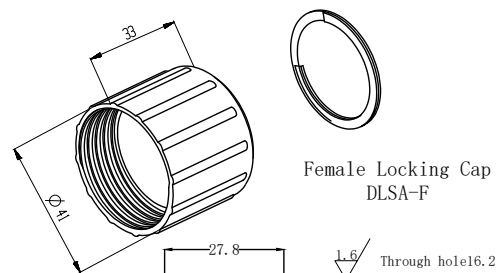
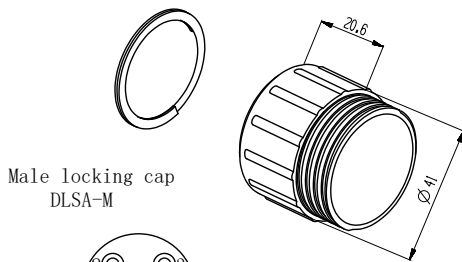
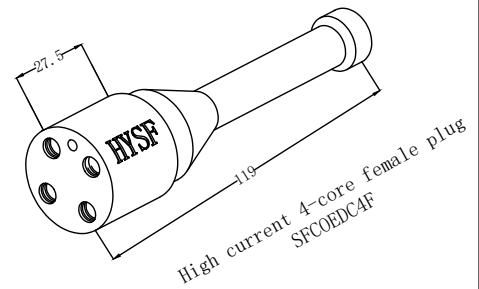
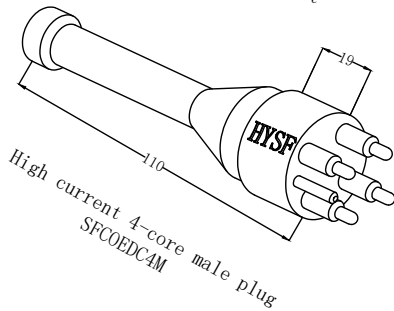
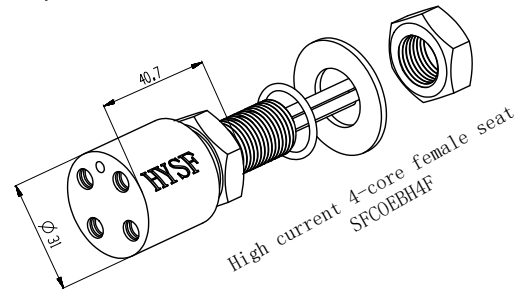
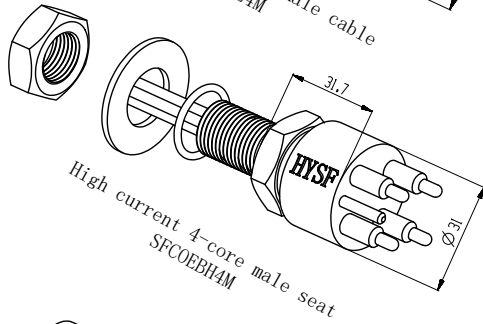
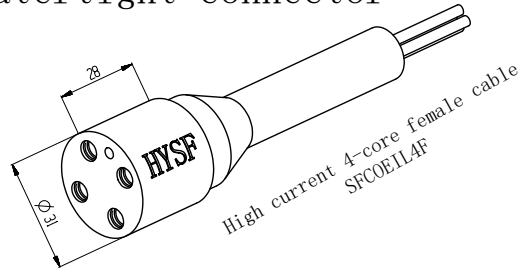
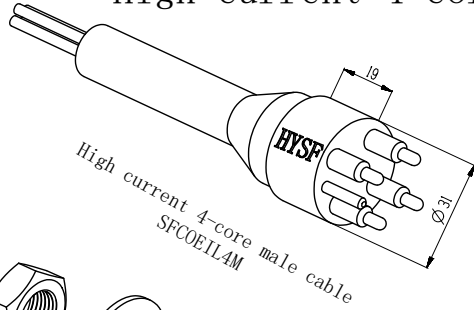
Dimension units: millimeter  
Thread unit: inch  
Mounting thread: 5/8-18UNF-2A  
Thread length: 19mm  
Can be customized upon request

### High current 3-core 5/8 watertight connector



<p>High current 3-core cable plug color:</p> <p>1: Red 2: Black 3: Brown (Yellow)</p>	<p>Main parameters:</p> <p>Electrical parameters of High current 3-core: 550V @ 30A Insulation resistance: &gt;200 MΩ contact resistance: &lt;0.01 Ω Wet plug and pull times: &gt;500次 Operating temperature: -60° ~ +80° C Working depth: 6000M (60 MPa)</p>	<p>Material parameters:</p> <p>Plug body: Neoprene Socket body: 316L stainless steel, Titanium alloy, Sea copper Cable body: Polyurethane, Neoprene Needle core: Copper gilding Installation requirements: Installation radius: 21.9 Surface finish: Ra1.6</p>	<p>Dimension units: millimeter Thread unit: inch Mounting thread: 5/8-18UNF-2A Thread length: 19mm</p> <p>Can be customized upon request</p>
-------------------------------------------------------------------------------------------	-----------------------------------------------------------------------------------------------------------------------------------------------------------------------------------------------------------------------------------------------------------------------------------	----------------------------------------------------------------------------------------------------------------------------------------------------------------------------------------------------------------------------------------------------------------------------------------	----------------------------------------------------------------------------------------------------------------------------------------------------------

High current 4-core 5/8 watertight connector



High current 4-core cable plug color:

- 1: Red    2: Black
- 3: Green 4: Yellow

Main parameters:

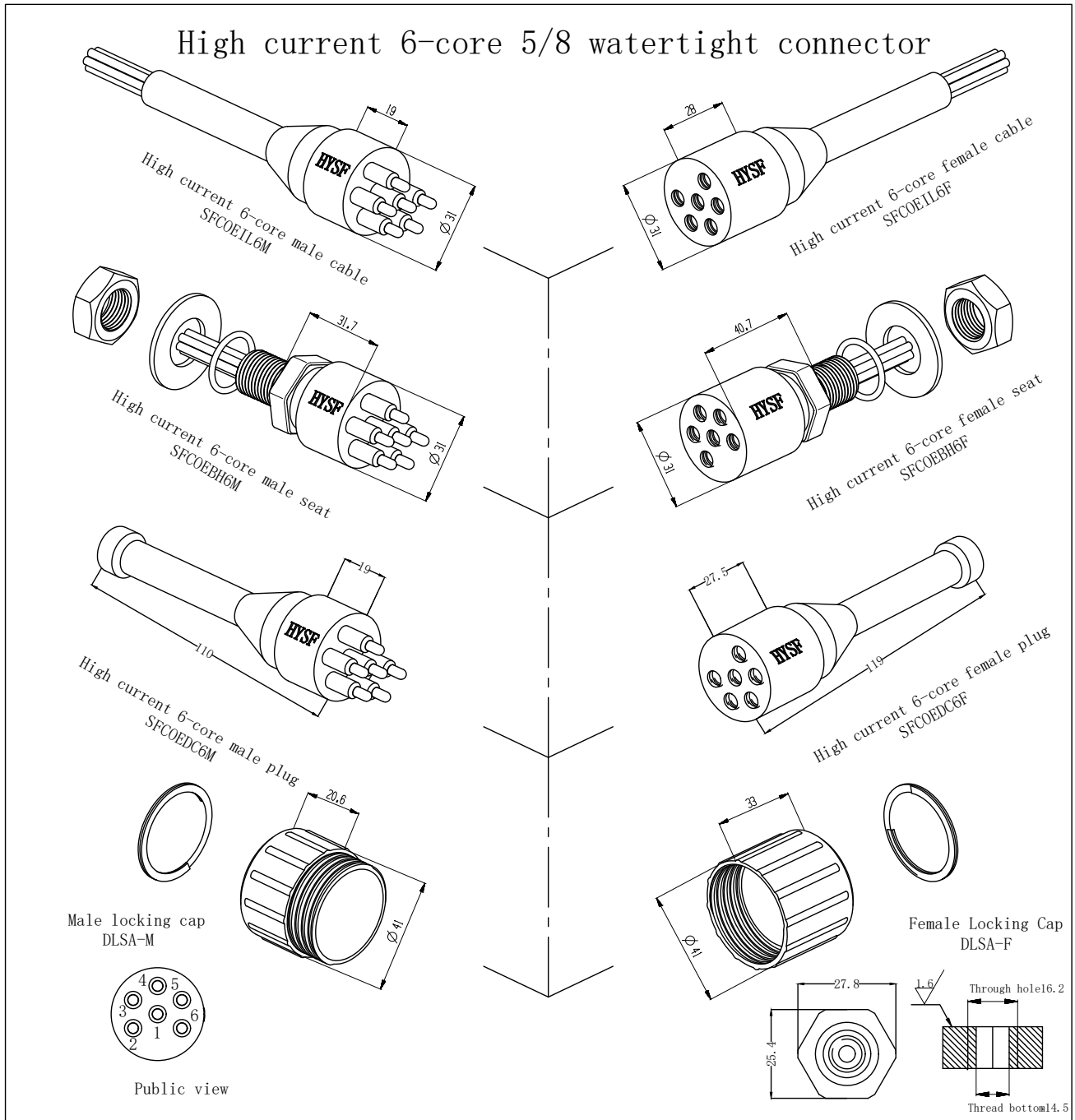
Electrical parameters of  
High current 4-core: 550V @ 30A  
Insulation resistance: >200 MΩ  
contact resistance: <0.01 Ω  
Wet plug and pull times: >500次  
Operating temperature: -60° ~ +80° C  
Working depth: 6000M (60 MPa)

Material parameters:

Plug body: Neoprene  
Socket body: 316L stainless steel,  
Titanium alloy, Sea copper  
Cable body: Polyurethane, Neoprene  
Needle core: Copper gilding  
Installation requirements:  
Installation radius: 21.9  
Surface finish: Ra1.6

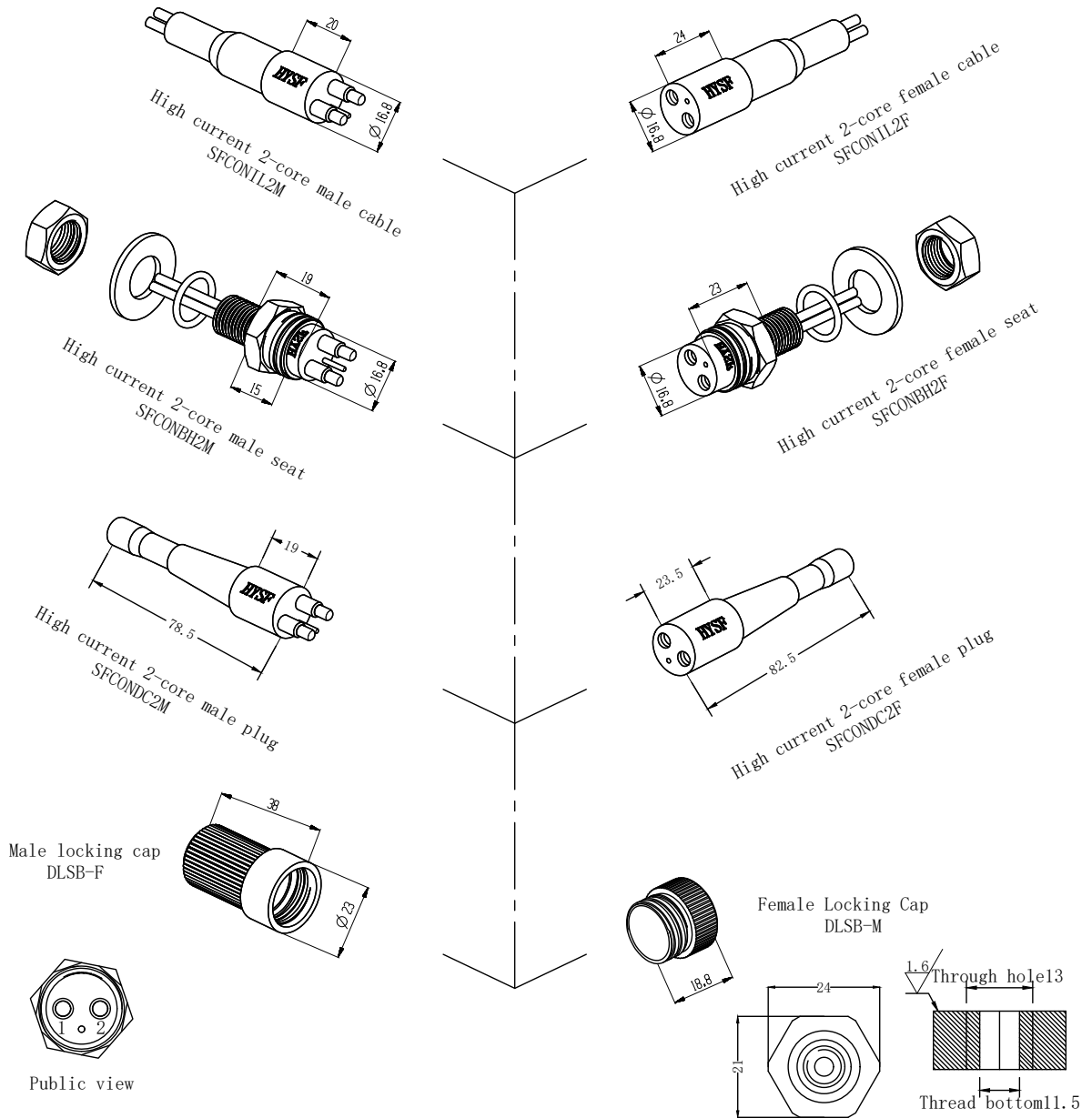
Dimension units: millimeter  
Thread unit: inch  
Mounting thread: 5/8-18UNF-2A  
Thread length: 19mm

Can be customized upon request



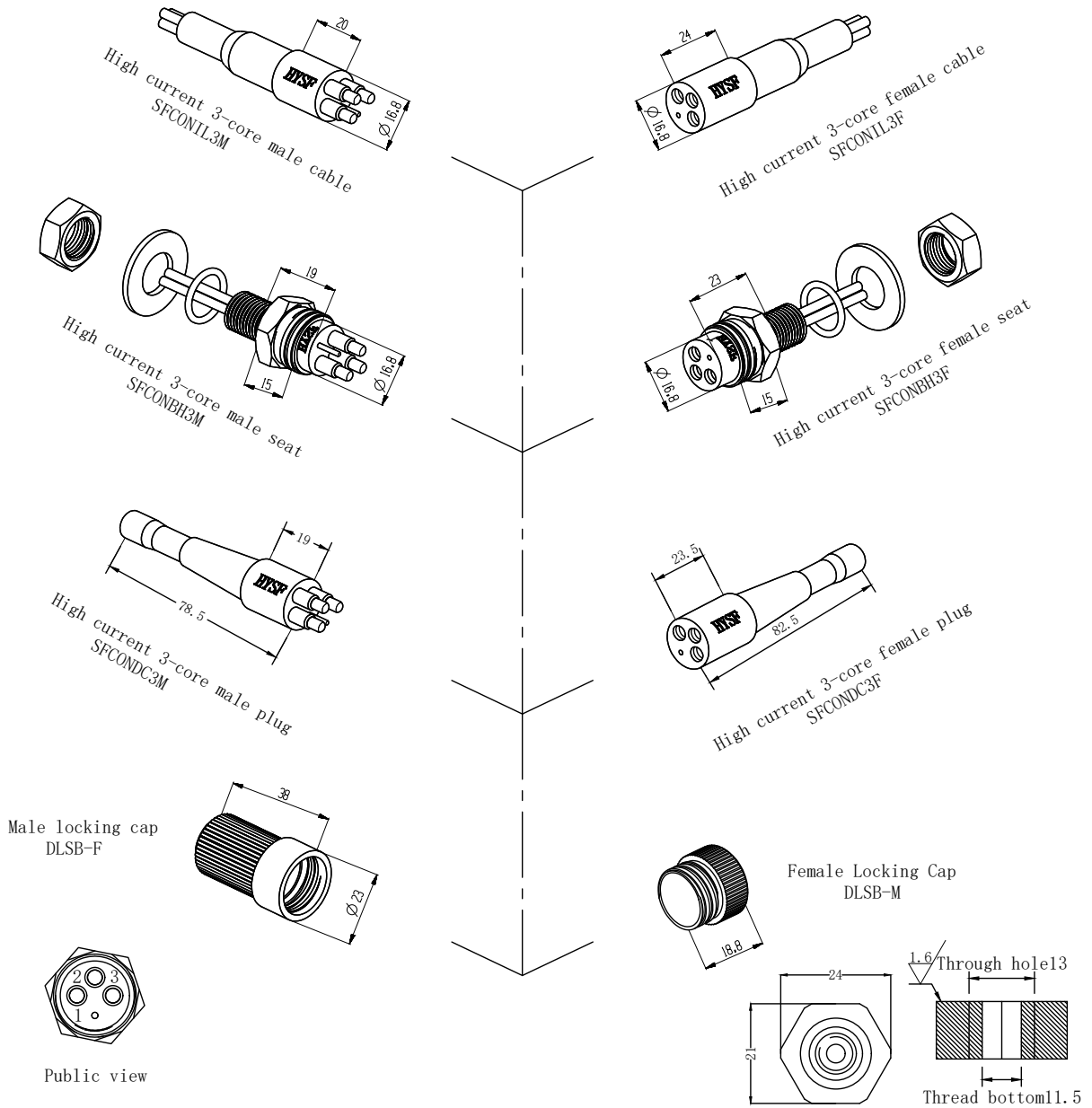
<p>High current 6-core cable plug color:</p> <p>1: Red 2: Black 3: Yellow 4: Blue 5: Orange 6: Brown</p>	<p>Main parameters:</p> <p>Electrical parameters of High current 6-core: 550V @ 30A Insulation resistance: &gt;200 MΩ contact resistance: &lt;0.01 Ω Wet plug and pull times: &gt;500次 Operating temperature: -60° ~ +80° C Working depth: 6000M(60 MPa)</p>	<p>Material parameters:</p> <p>Plug body: Neoprene Socket body: 316L stainless steel, Titanium alloy, Sea copper Cable body: Polyurethane, Neoprene Needle core: Copper gilding Installation requirements: Installation radius: 21.9 Surface finish: Ra1.6</p>	<p>Dimension units: millimeter Thread unit: inch Mounting thread: 5/8-18UNF-2A Thread length: 19mm</p> <p>Can be customized upon request</p>
------------------------------------------------------------------------------------------------------------------	--------------------------------------------------------------------------------------------------------------------------------------------------------------------------------------------------------------------------------------------------------------------------------------	----------------------------------------------------------------------------------------------------------------------------------------------------------------------------------------------------------------------------------------------------------------------------------------	----------------------------------------------------------------------------------------------------------------------------------------------------------

### High current 2-core 1/2 watertight connector



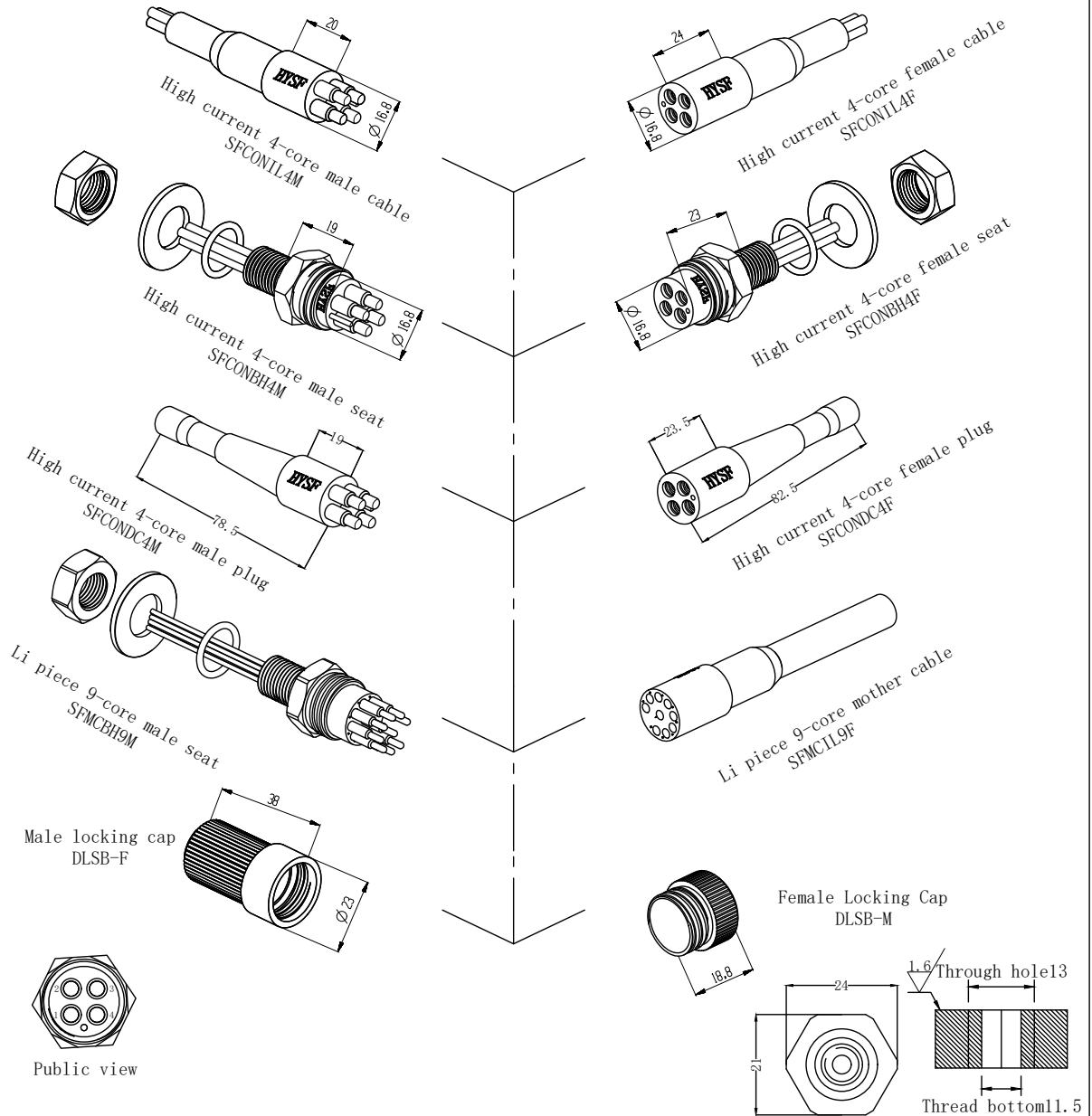
<p>High current 2-core cable plug color:</p> <p>1: Red 2: Black</p>	<p>Main parameters:</p> <p>Electrical parameters of High current 2-core: 800V @ 25A                  Insulation resistance: &gt;200 MΩ                  contact resistance: &lt;0.01 Ω                  Wet plug and pull times: &gt;500次                  Operating temperature: -60° ~ +80° C                  Working depth: 6000M(60 MPa)</p>	<p>Material parameters:</p> <p>Plug body: Neoprene                  Socket body: 316L stainless steel, Titanium alloy, Sea copper                  Cable body: Polyurethane, Neoprene                  Needle core: Copper gilding                  Installation requirements:                  Installation radius: 12.8                  Surface finish: Ra1.6</p>	<p>Dimension units: millimeter                  Thread unit: inch                  Mounting thread: 1/2-20UNF-2A                  Thread length: 16mm</p> <p>Can be customized upon request</p>
---------------------------------------------------------------------	-----------------------------------------------------------------------------------------------------------------------------------------------------------------------------------------------------------------------------------------------------------------------------------------------------------------------------------------------------------------------	----------------------------------------------------------------------------------------------------------------------------------------------------------------------------------------------------------------------------------------------------------------------------------------------------------------------------------------------------------------------------------------------	-------------------------------------------------------------------------------------------------------------------------------------------------------------------------------------------------------------

## High current 3-core 1/2 watertight connector



<p>High current 3-core cable plug color:</p> <p>1: Red 2: Black 3: White</p>	<p>Main parameters:</p> <p>Electrical parameters of High current 3-core: 800V @ 25A Insulation resistance: &gt;200 MΩ contact resistance: &lt;0.01Ω Wet plug and pull times: &gt;500次 Operating temperature: -60° ~ +80° C Working depth: 6000M (60 MPa)</p>	<p>Material parameters:</p> <p>Plug body: Neoprene Socket body: 316L stainless steel, Titanium alloy, Sea copper Cable body: Polyurethane, Neoprene Needle core: Copper gilding Installation requirements: Installation radius: 12.8 Surface finish: Ra1.6</p>	<p>Dimension units: millimeter Thread unit: inch Mounting thread: 1/2-20UNF-2A Thread length: 16mm Can be customized upon request</p>
----------------------------------------------------------------------------------	--------------------------------------------------------------------------------------------------------------------------------------------------------------------------------------------------------------------------------------------------------------------------------------	----------------------------------------------------------------------------------------------------------------------------------------------------------------------------------------------------------------------------------------------------------------------------------------	-------------------------------------------------------------------------------------------------------------------------------------------------------

## High current 4-core 1/2 watertight connector



High current 4-core cable plug color:

- 1: Red 2: Black
- 3: Green 4: Yellow

**Main parameters:**

Electrical parameters of  
 High current 4-core: 800V @ 25A  
 Insulation resistance: >200 MΩ  
 contact resistance: <0.01Ω  
 Wet plug and pull times: >500次  
 Operating temperature: -60° ~ +80° C  
 Working depth: 6000M(60 MPa)

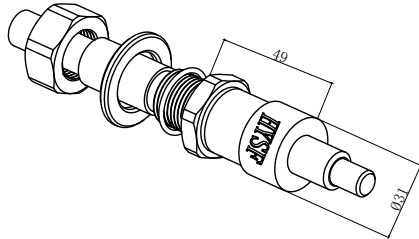
**Material parameters:**

Plug body: Neoprene  
 Socket body: 316L stainless steel, Titanium alloy, Sea copper  
 Cable body: Polyurethane, Neoprene  
 Needle core: Copper gilding  
 Installation requirements:  
 Installation radius: 12.8  
 Surface finish: Ra1.6

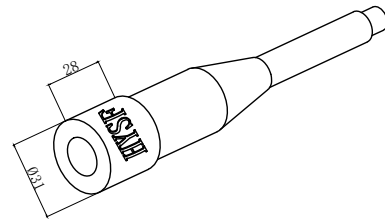
Dimension units: millimeter  
 Thread unit: inch  
 Mounting thread: 1/2-20UNF-2A  
 Thread length: 16mm

Can be customized upon request

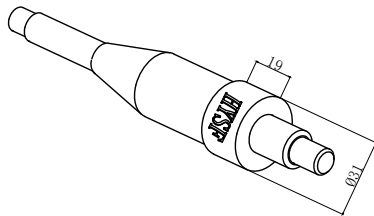
Single core high current



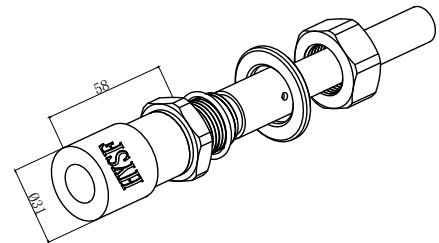
Single core high current male seat  
SFHPDXBH1M



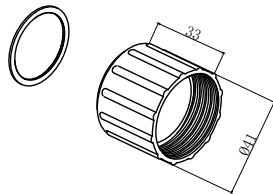
Single core high current mother cable  
SFHPDXIL1F



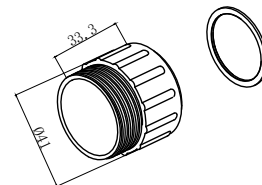
Single core high current male cable  
SFHPDXIL1M



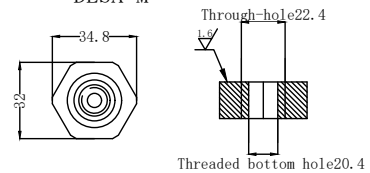
Single core high current female socket  
SFHPDXBH1F



Single core high current female locking cap  
DLSA-F



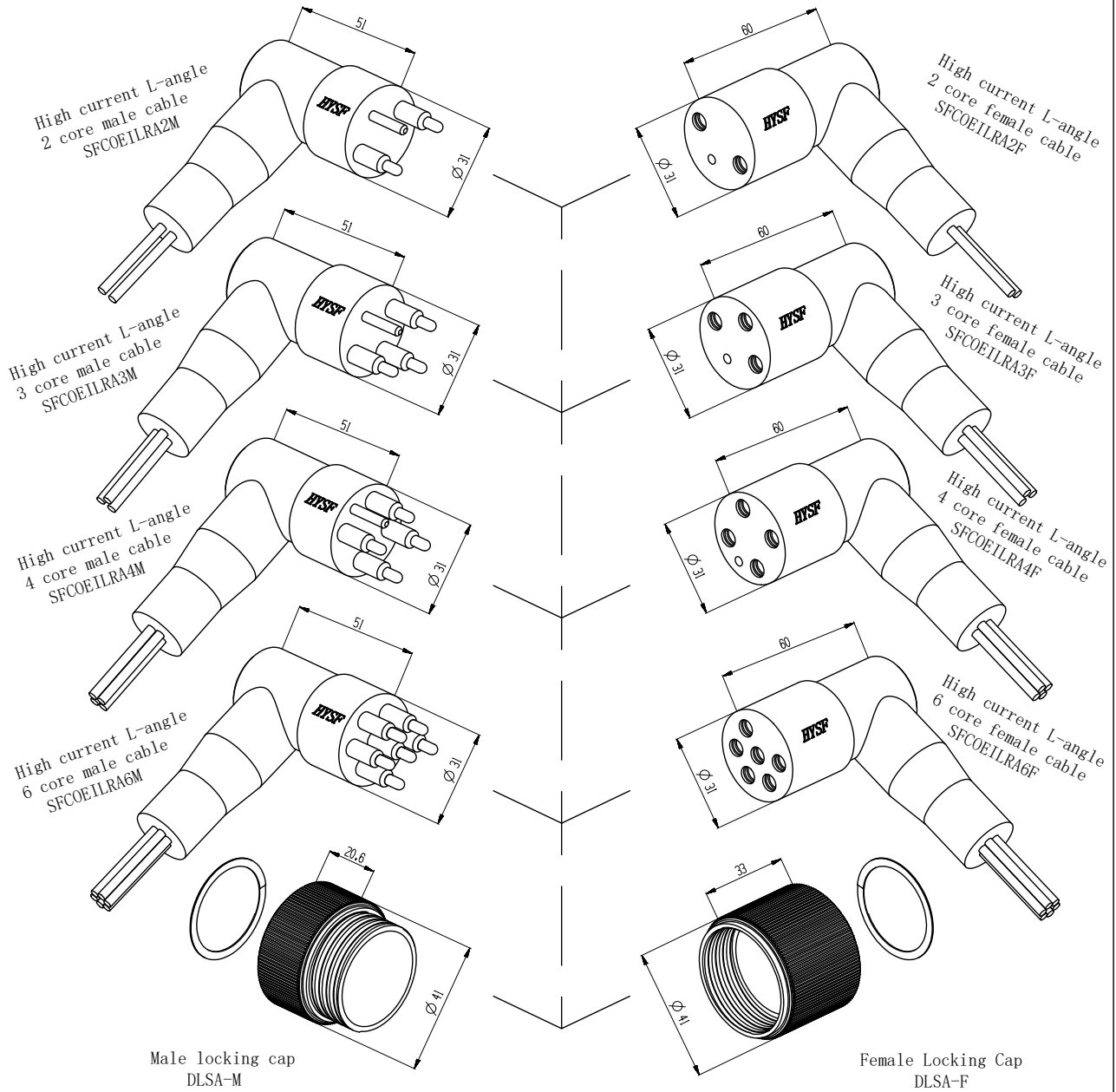
Single core high current male locking cap  
DLSA-M



Threaded bottom hole 20.4

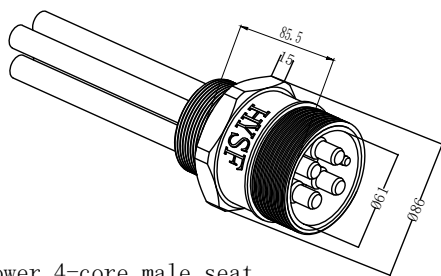
<p>High current single core watertight connector</p> <p>Customizable according to requirements</p>	<p>Main parameters:</p> <p>High current single core electrical parameters:</p> <p>Rated voltage: 600V AC/DC</p> <p>Rated current: 150A or 180A</p> <p>Insulation resistance: &gt; 200MΩ</p> <p>Contact resistance: &lt; 0.01Ω</p> <p>Wet plugging and unplugging times: &gt;500 times</p> <p>Working temperature: -60° ~ +80° C</p> <p>Working depth: 6000 meters (60MPa)</p>	<p>Material parameters:</p> <p>Plug body: chloroprene rubber</p> <p>Socket body: 316L stainless steel, titanium alloy</p> <p>Gold, sea copper</p> <p>Cable body: Polyurethane</p> <p>Needle core: Copper plated with gold</p> <p>Installation requirements:</p> <p>Installation radius: 20.5</p> <p>Surface smoothness: Ra1.6</p>	<p>Dimensions in millimeters</p> <p>Thread unit: inches</p> <p>Installation thread: 7/8-14UNF-2A</p> <p>Thread length: 20mm</p>
----------------------------------------------------------------------------------------------------	-------------------------------------------------------------------------------------------------------------------------------------------------------------------------------------------------------------------------------------------------------------------------------------------------------------------------------------------------------------------------------	-----------------------------------------------------------------------------------------------------------------------------------------------------------------------------------------------------------------------------------------------------------------------------------------------------------------------------------	---------------------------------------------------------------------------------------------------------------------------------

### High current L-angle 2-6 core watertight connector

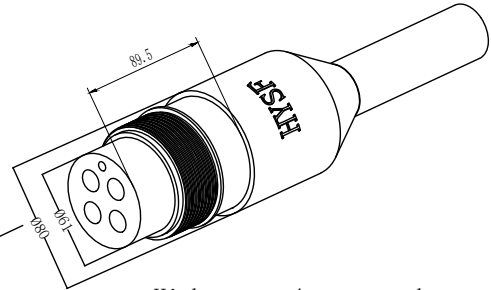


<p>L Angle cable plug color: Same as high current watertight connector</p>	<p>Main parameters: Electrical parameters of High current 2-core: 550V @ 30A Insulation resistance: &gt;200 MΩ contact resistance: &lt;0.01 Ω Wet plug and pull times: &gt;500次 Operating temperature: -60° ~ +80° C Working depth: 6000M(60 MPa)</p>	<p>Material parameters: Plug body: Neoprene Socket body: 316L stainless steel, Titanium alloy, Sea copper Cable body: Polyurethane, Neoprene Needle core: Copper gilding Installation requirements: Installation radius: 21.9 Surface finish: Ra1.6</p>	<p>Dimension units: millimeter Thread unit: inch Mounting thread: 5/8-18UNF-2A Thread length: 19mm Can be customized upon request</p>
--------------------------------------------------------------------------------	-------------------------------------------------------------------------------------------------------------------------------------------------------------------------------------------------------------------------------------------------------------------------------	-------------------------------------------------------------------------------------------------------------------------------------------------------------------------------------------------------------------------------------------------------------------------------------	-------------------------------------------------------------------------------------------------------------------------------------------------------

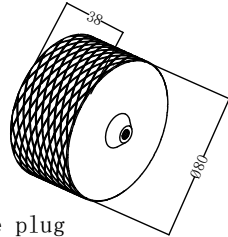
## High power 4-core 2 - 3 / 8 waterproof connector



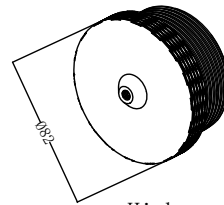
High power 4-core male seat  
SFHPCDBH4M



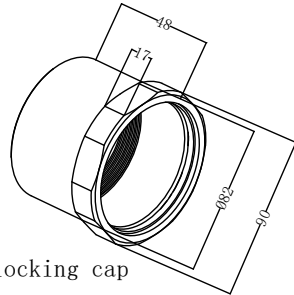
High power 4-core mother cable  
SFHPCDIL4F



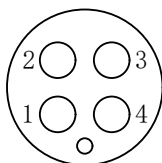
High power 4-core female plug  
SFHPCDDC4F



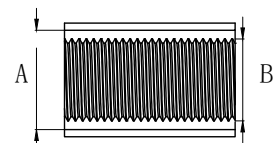
High power 4-core male plug  
SFHPCDDC4M



High power 4-core locking cap  
DLSFMS-4M



Public view



A: Through hole 60 . 6  
B: Threaded bottom hole 58 . 2

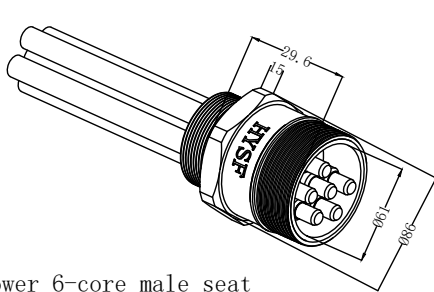
High power 2-3/8 4-core  
waterproof connector  
Customizable according to  
requirements

**Main parameters:**  
Electrical parameters of 4-core:  
Rated voltage: 600V AC/DC  
Rated current: 150A  
Insulation resistance: >200Ω M  
contact resistance: <0.Ω1  
Wet plug and pul times: >5000 on c  
Operating temperature: -60~+8°C  
Working depth: 6000M (60 MPa)

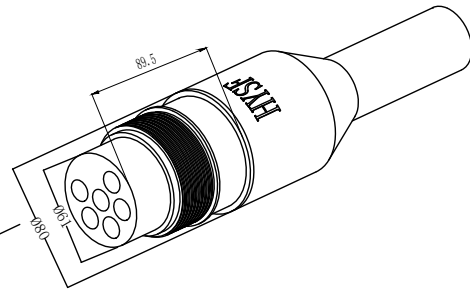
**Material parameters:**  
Plug body: Neoprene  
Socket body: 316L stainless steel  
Titanium alloy copper  
Cable body: Polyurethane  
Needle core: Copper gilding  
**Installation requirements:**  
Installation radius: 46  
Surface finish: Ra1.6

Dimensions in millimeters  
Thread unit:  
Installation thread:  
2-3/8-12NF-2A  
Thread length:  
25mm

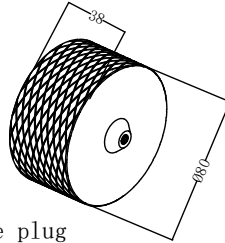
## High power 6-core 2-3/8 watertight connector



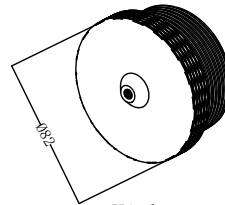
High power 6-core male seat  
SFHPCDBH6M



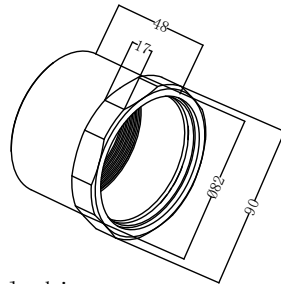
High power 6-core mother cable  
SFHPCDIL6F



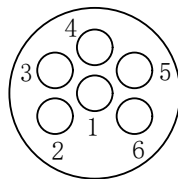
High power 6-core female plug  
SFHPCDDC6F



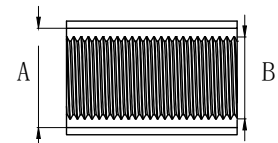
High power 6-core male plug  
SFHPCDDC6M



High power 6-core locking cap  
DLSFMS-6M



Public view



A: Through-hole 60.6  
B: Threaded bottom hole 58.2

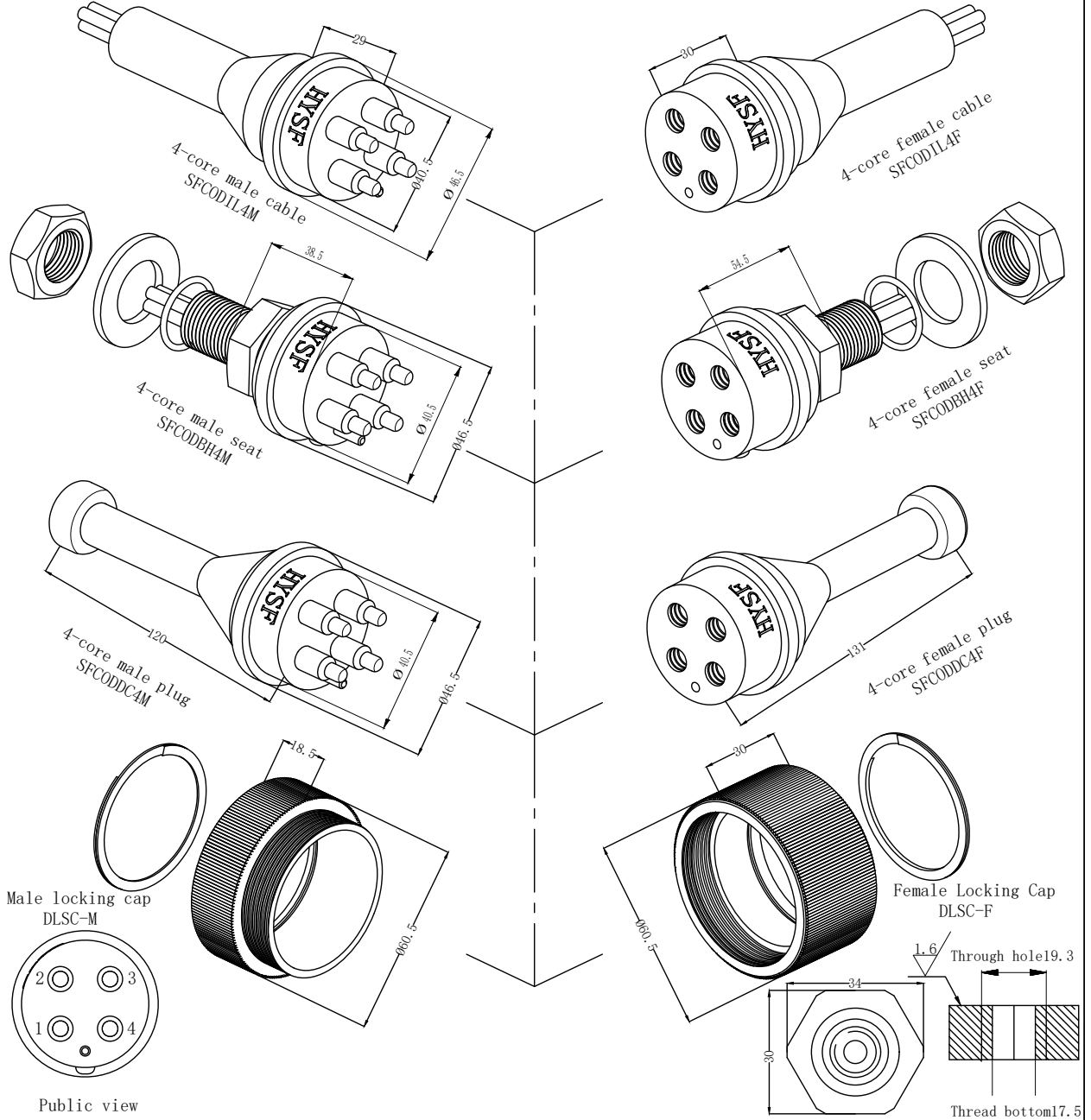
High power 2-3/8 6-core waterproof connector  
Customizable according to requirements

**Main parameters:**  
Electrical parameters of 6-core:  
Rated voltage: 600V AC/DC  
Rated current: 150A  
Insulation resistance: >200 MΩ  
contact resistance: <0.01Ω  
Wet plug and pull times: >5000Once  
Operating temperature: -60°~+80°C  
Working depth: 6000M(60 MPa)

**Material parameters:**  
Plug body: Neoprene  
Socket body: 316L stainless steel, Titanium alloy, Sea copper  
Cable body: Polyurethane  
Needle core: Copper gilding  
**Installation requirements:**  
Installation radius: 46  
Surface finish: Ra1.6

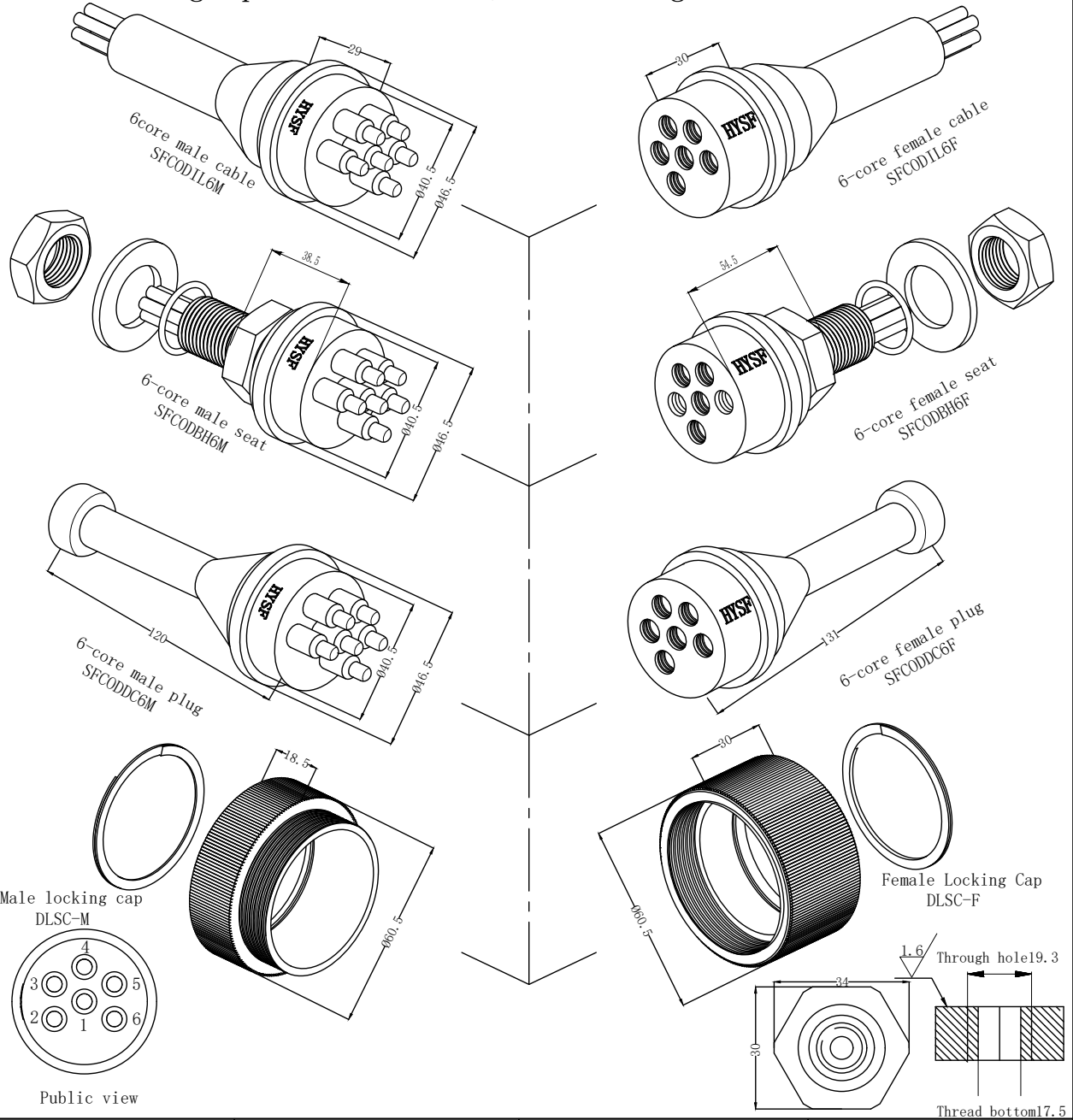
Dimension units: millimeter  
Thread unit: inch  
Mounting thread: 2-3/8-12UNF-2A  
Thread length: 25.4mm

High power 4-core 3/4 watertight connector



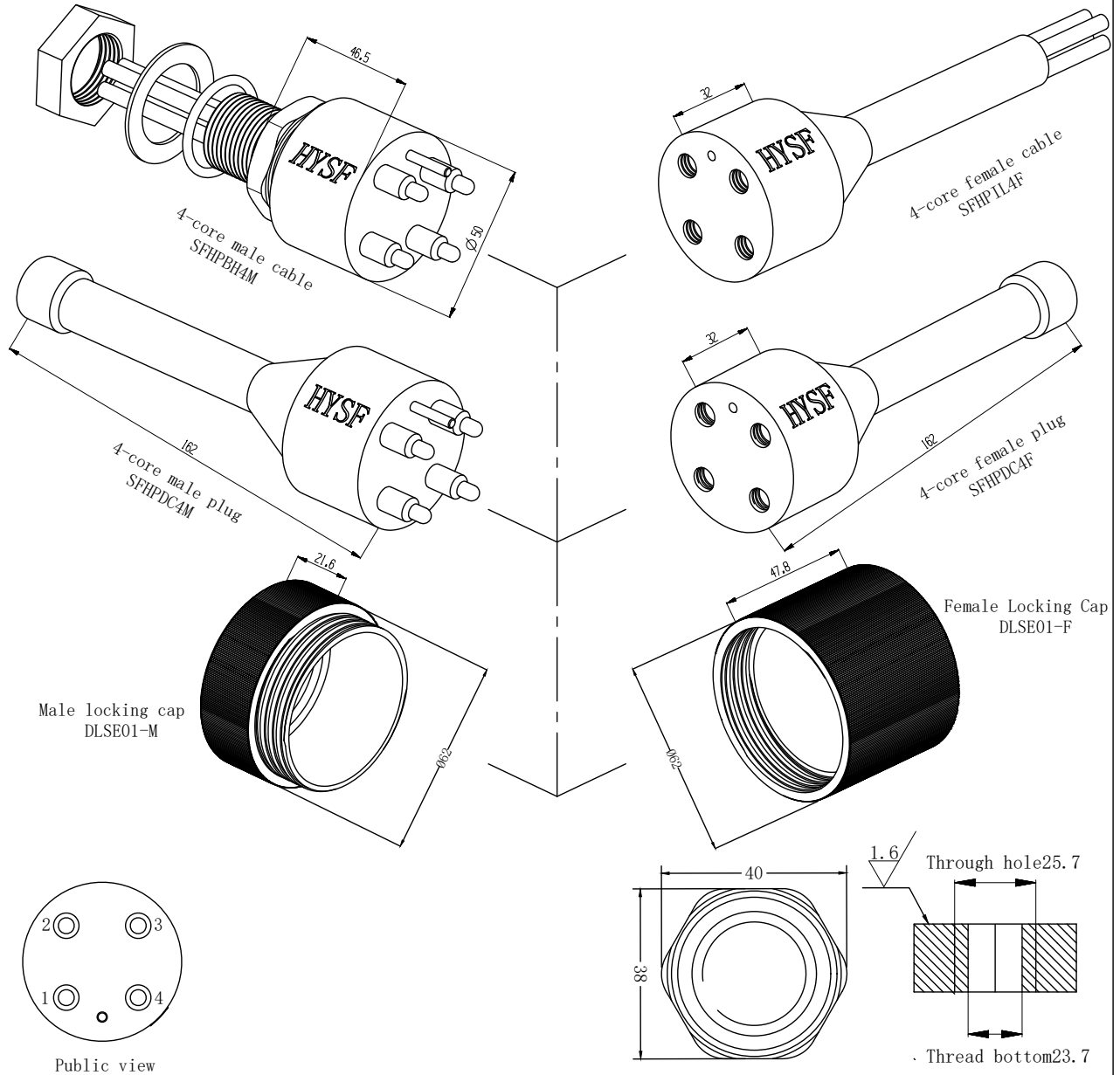
<p>4-core cable plug color:</p> <p>1: Red 2: Black 3: Green 4: Yellow</p>	<p>Main parameters:</p> <p>Electrical parameters of 4-core: 800V @ 40A Insulation resistance: &gt;200 MΩ contact resistance: &lt;0.01 Ω Wet plug and pull times: &gt;500次 Operating temperature: -60° ~ +80° C Working depth: 6000M(60 MPa)</p>	<p>Material parameters:</p> <p>Plug body: Neoprene Socket body: 316L stainless steel, Titanium alloy, Sea copper Cable body: Polyurethane, Neoprene Needle core: Copper gilding Installation requirements: Installation radius: 31.35 Surface finish: Ra1.6</p>	<p>Dimension units: millimeter Thread unit: inch Mounting thread: 3/4-16UNF-2A Thread length: 25mm</p> <p>Can be customized upon request</p>
-------------------------------------------------------------------------------	-------------------------------------------------------------------------------------------------------------------------------------------------------------------------------------------------------------------------------------------------------------------------	---------------------------------------------------------------------------------------------------------------------------------------------------------------------------------------------------------------------------------------------------------------------------------------------	----------------------------------------------------------------------------------------------------------------------------------------------------------

### High power 6-core 3/4 watertight connector



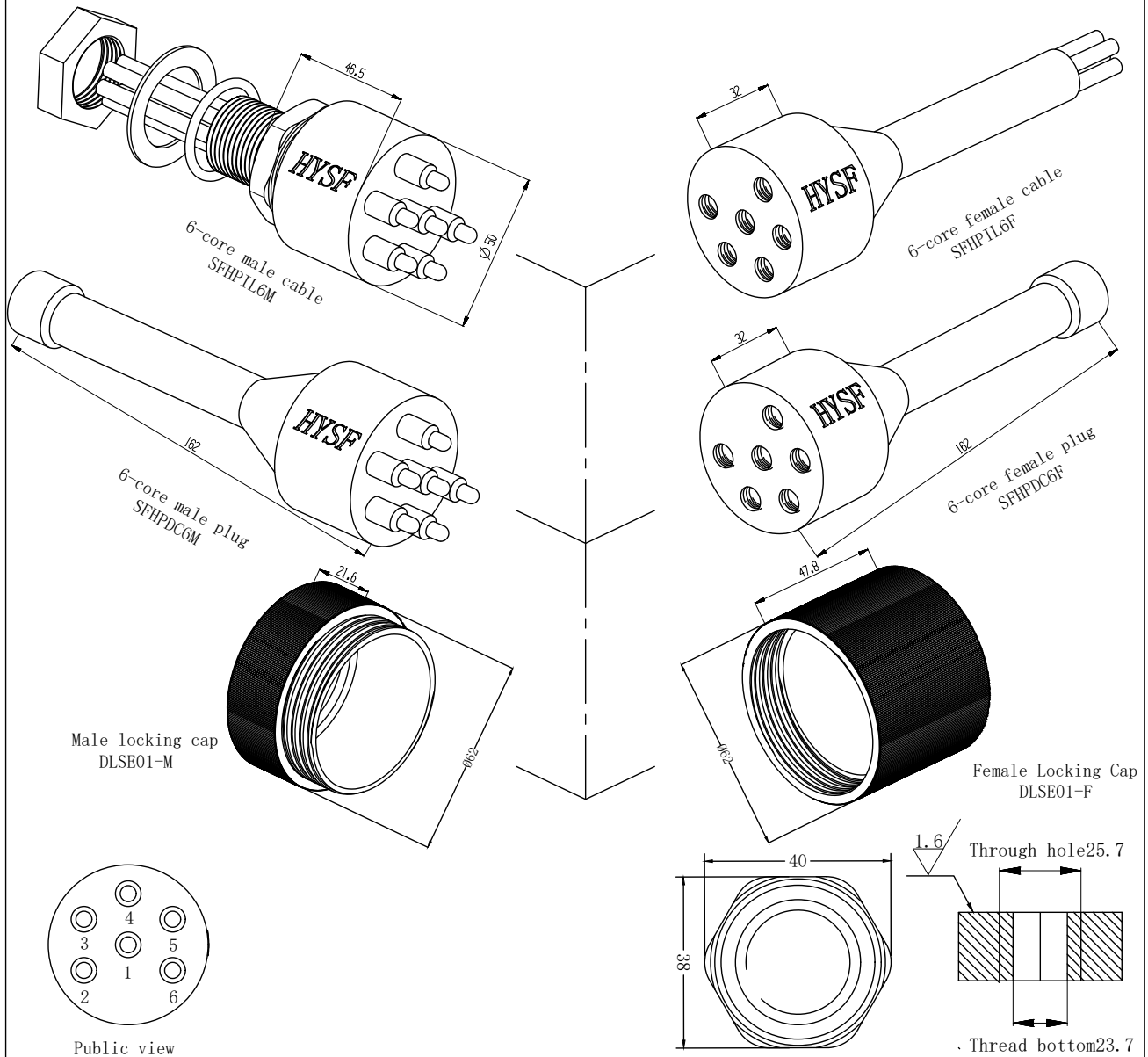
<p>6-core cable plug color:</p> <p>1: Red    2: Black          3: Yellow 4: Blue          5: Orange 6: Brown</p>	<p>Main parameters:</p> <p>Electrical parameters of          6-core: 800V DC @ 40A          Insulation resistance: &gt;200 MΩ          contact resistance: &lt;0.01Ω          Wet plug and pull times: &gt;500次          Operating temperature: -60° ~ +80° C          Working depth: 6000M(60 MPa)</p>	<p>Material parameters:</p> <p>Plug body: Neoprene          Socket body: 316L stainless steel,          Titanium alloy, Sea copper          Cable body: Polyurethane, Neoprene          Needle core: Copper gilding          Installation requirements:          Installation radius: 31.35          Surface finish: Ra1.6</p>	<p>Dimension units: millimeter          Thread unit: inch          Mounting thread: 3/4-16UNF-2A          Thread length: 25mm</p> <p>Can be customized upon request</p>
--------------------------------------------------------------------------------------------------------------------------	---------------------------------------------------------------------------------------------------------------------------------------------------------------------------------------------------------------------------------------------------------------------------------------------------------------------------------	------------------------------------------------------------------------------------------------------------------------------------------------------------------------------------------------------------------------------------------------------------------------------------------------------------------------------------------------------------	-------------------------------------------------------------------------------------------------------------------------------------------------------------------------------------

### High power 4-core 1-inch watertight connector



<p>4-core cable plug color:</p> <p>1: Green 2: Yellow 3: Blue 4: Green and yellow</p>	<p>Main parameters:</p> <p>Electrical parameters of 4-core: 800V DC @ 60A Insulation resistance: &gt;200 MΩ contact resistance: &lt;0.01 Ω Wet plug and pull times: &gt;500次 Operating temperature: -60° ~ +80° C Working depth: 6000M(60 MPa)</p>	<p>Material parameters:</p> <p>Plug body: Neoprene Socket body: 316L stainless steel, Titanium alloy, Sea copper Cable body: Polyurethane, Neoprene Needle core: Copper gilding Installation requirements: Installation radius: 31.25 Surface finish: Ra1.6</p>	<p>Dimension units: millimeter Thread unit: inch Mounting thread: 1-14UNS-2A Thread length: 25mm</p> <p>Can be customized upon request</p>
-------------------------------------------------------------------------------------------	------------------------------------------------------------------------------------------------------------------------------------------------------------------------------------------------------------------------------------------------------------------------	-----------------------------------------------------------------------------------------------------------------------------------------------------------------------------------------------------------------------------------------------------------------------------------------	--------------------------------------------------------------------------------------------------------------------------------------------------------

### High power 6-core 1-inch watertight connector



<p>6-core cable plug color:</p> <p>1: Red    2: Black          3: Yellow 4: Blue          5: Brown 6: Orange</p>	<p>Main parameters:</p> <p>Electrical parameters of          6-core: 800V DC @ 60A          Insulation resistance: &gt;200 MΩ          contact resistance: &lt;0.01 Ω          Wet plug and pull times: &gt;500次          Operating temperature: -60° ~ +80° C          Working depth: 6000M(60 MPa)</p>	<p>Material parameters:</p> <p>Plug body: Neoprene          Socket body: 316L stainless steel,          Titanium alloy, Sea copper          Cable body: Polyurethane, Neoprene          Needle core: Copper gilding          Installation requirements:          Installation radius: 31.25          Surface finish: Ra1.6</p>	<p>Dimension units: millimeter          Thread unit: inch          Mounting thread: 1-14UNS-2A          Thread length: 25mm</p> <p>Can be customized upon request</p>
--------------------------------------------------------------------------------------------------------------------------	----------------------------------------------------------------------------------------------------------------------------------------------------------------------------------------------------------------------------------------------------------------------------------------------------------------------------------	------------------------------------------------------------------------------------------------------------------------------------------------------------------------------------------------------------------------------------------------------------------------------------------------------------------------------------------------------------	-----------------------------------------------------------------------------------------------------------------------------------------------------------------------------------