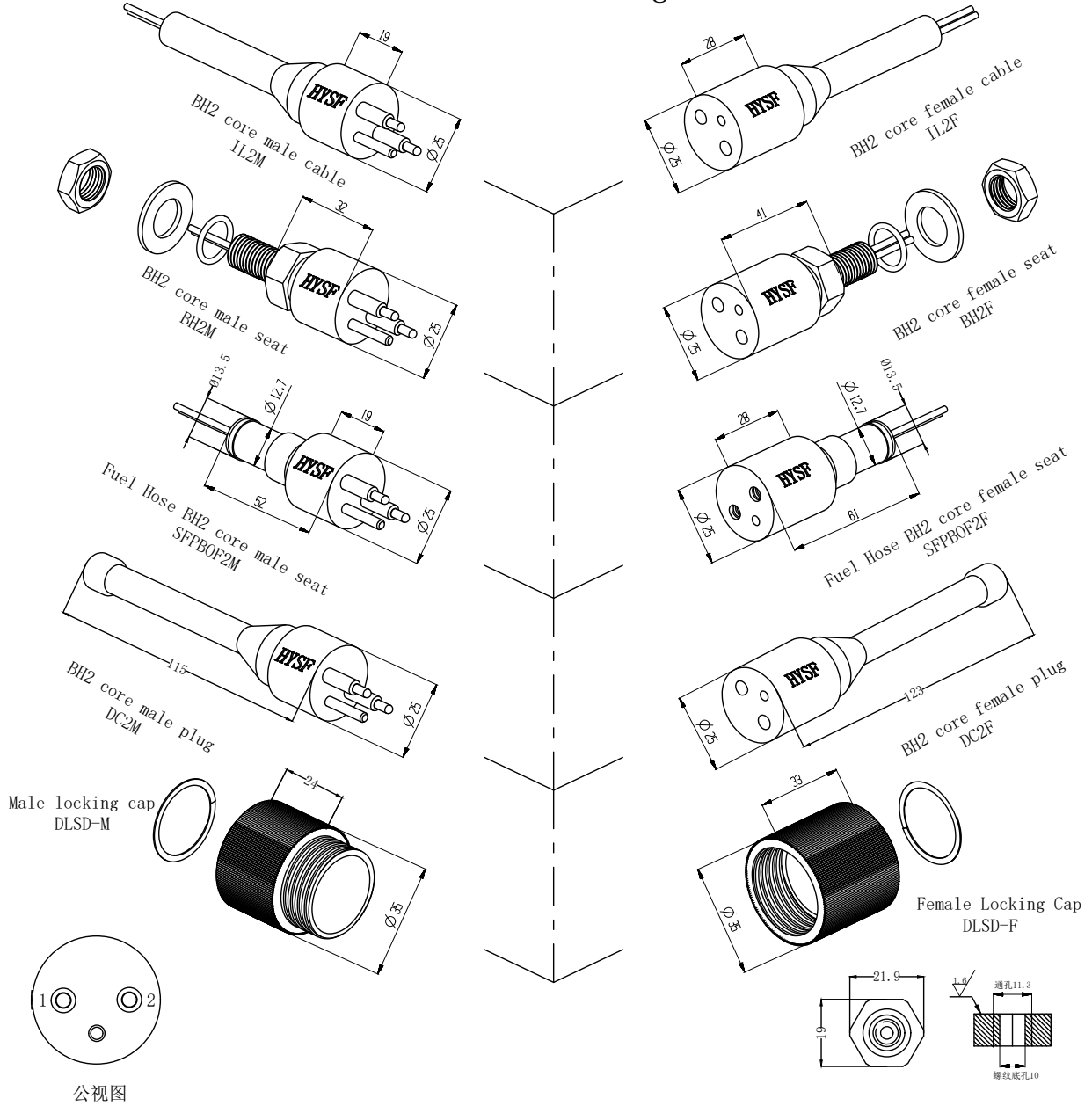


Standard 2-core watertight connector



BH2-core cable plug Color:

1: Red 2: Black

Main parameters:

Electrical parameters of
BH2-core: 550V @ 10A
Insulation resistance: >200 MΩ
contact resistance: <0.01 Ω
Wet plug and pull times: >500次
Operating temperature: -60° ~ +80° C
Working depth: 6000M(60 MPa)

Material parameters:

Plug body: Neoprene
Socket body: 316L stainless steel,
Titanium alloy, Sea copper
Cable body: Polyurethane, Neoprene
Needle core: Copper gilding
Installation requirements:
Installation radius: 12.8
Surface finish: Ra1.6

Dimension units: millimeter

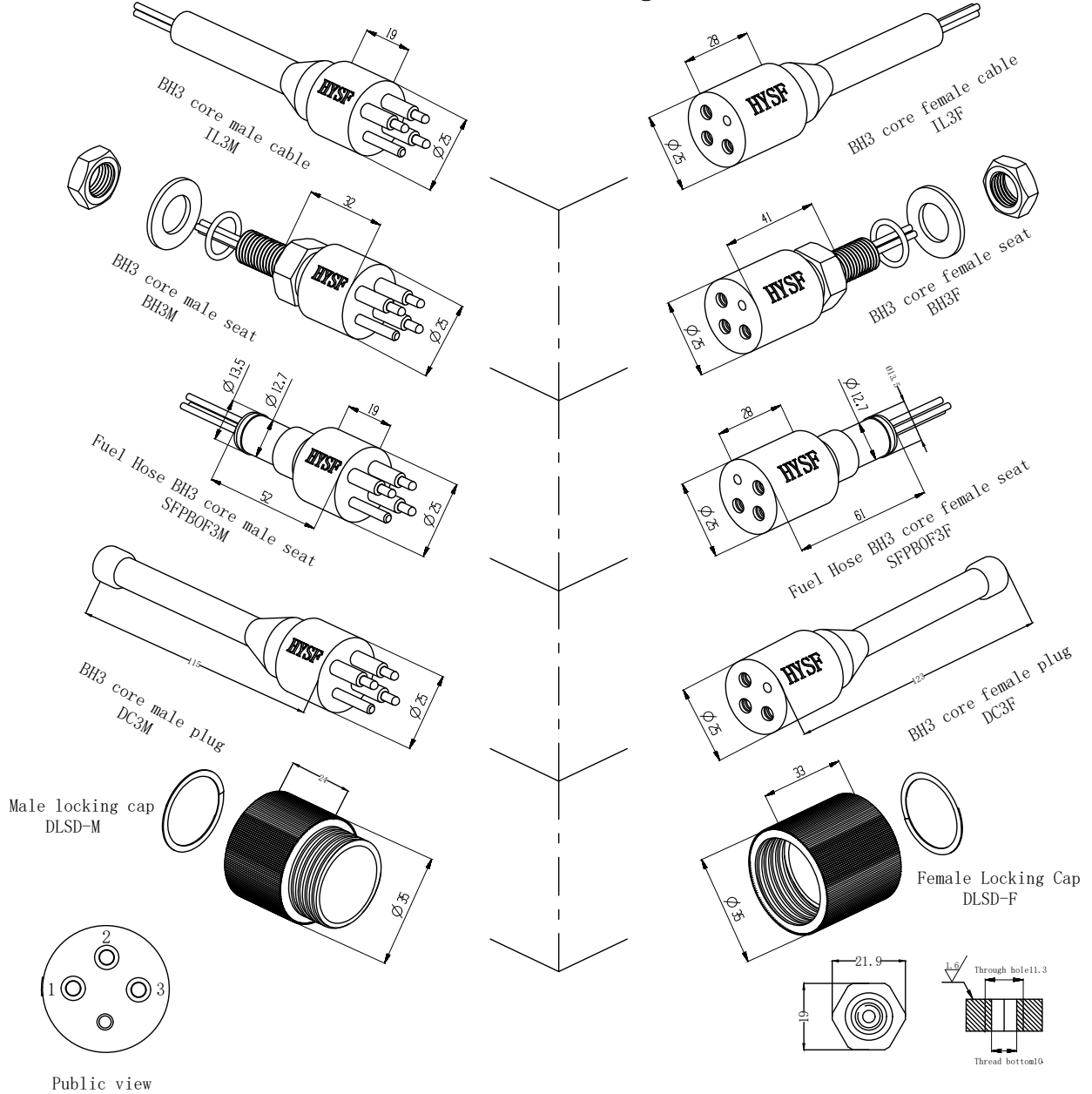
Thread unit: inch

Mounting thread: 7/16-20UNF-2A

Thread length: 19mm

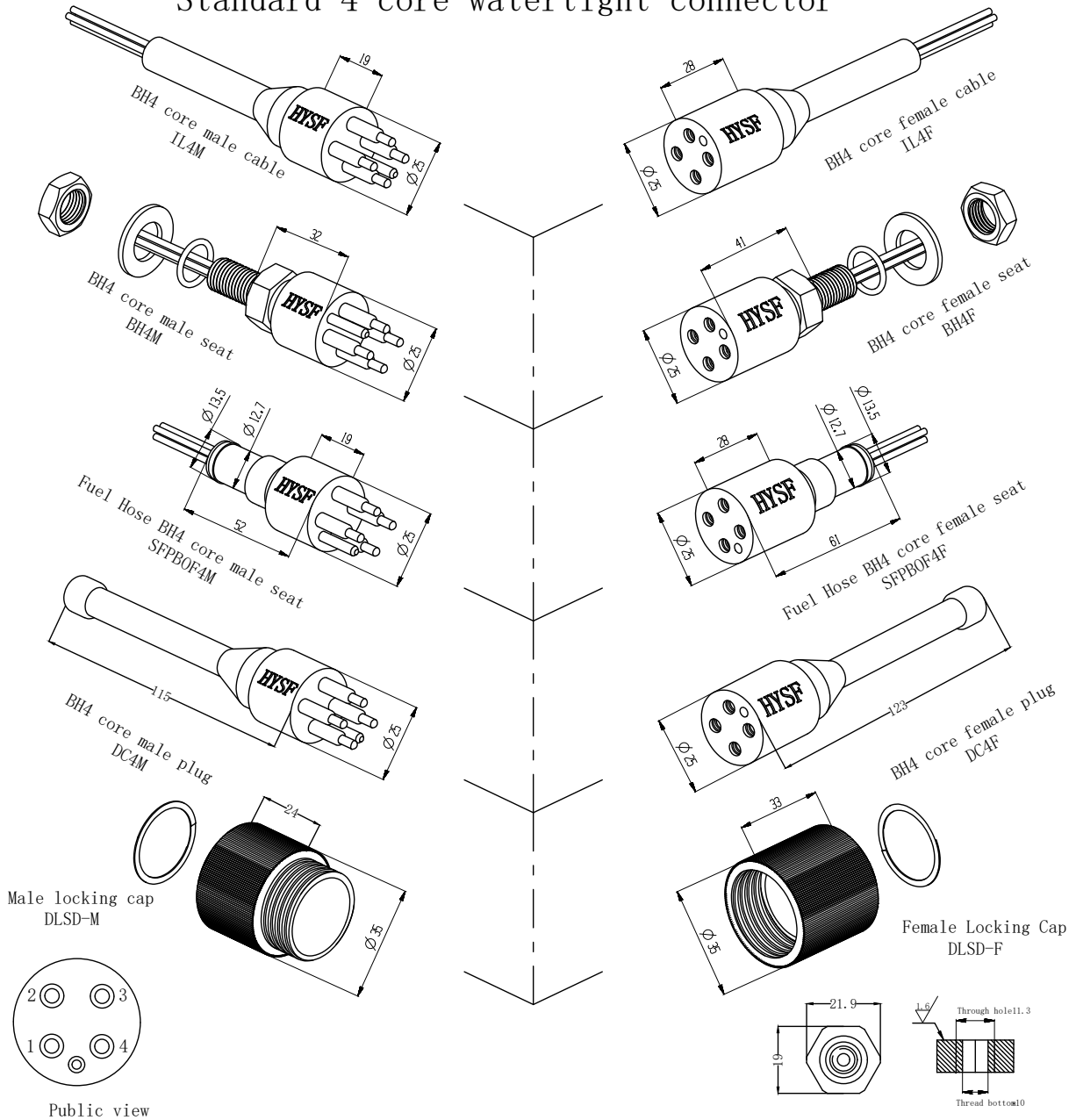
Can be customized upon request

Standard 3-core watertight connector



<p>BH3-core cable plug Color:</p> <p>1: Red 2: Black 3: Brown</p>	<p>Main parameters:</p> <p>Electrical parameters of BH3-core: 550V @ 10A Insulation resistance: >200 MΩ contact resistance: <0.01 Ω Wet plug and pull times: >500次 Operating temperature: -60° ~ +80° C Working depth: 6000M(60 MPa)</p>	<p>Material parameters:</p> <p>Plug body: Neoprene Socket body: 316L stainless steel, Titanium alloy, Sea copper Cable body: Polyurethane, Neoprene Needle core: Copper gilding Installation requirements: Installation radius: 12.8 Surface finish: Ra1.6</p>	<p>Dimension units: millimeter Thread unit: inch Mounting thread: 7/16-20UNF-2A Thread length: 19mm Can be customized upon request</p>
--	---	--	--

Standard 4-core watertight connector



BH4-core cable plug Color:

1: Red	2: Black
3: Brown	4: Blue

Main parameters:

Electrical parameters of
 BH4-core: 550V @ 10A
 Insulation resistance: >200 MΩ
 contact resistance: <0.01Ω
 Wet plug and pull times: >500次
 Operating temperature: -60° ~ +80° C
 Working depth: 6000M(60 MPa)

Material parameters:

Plug body: Neoprene
 Socket body: 316L stainless steel,
 Titanium alloy, Sea copper
 Cable body: Polyurethane, Neoprene
 Needle core: Copper gilding
 Installation requirements:
 Installation radius: 12.8
 Surface finish: Ra1.6

Dimension units: millimeter

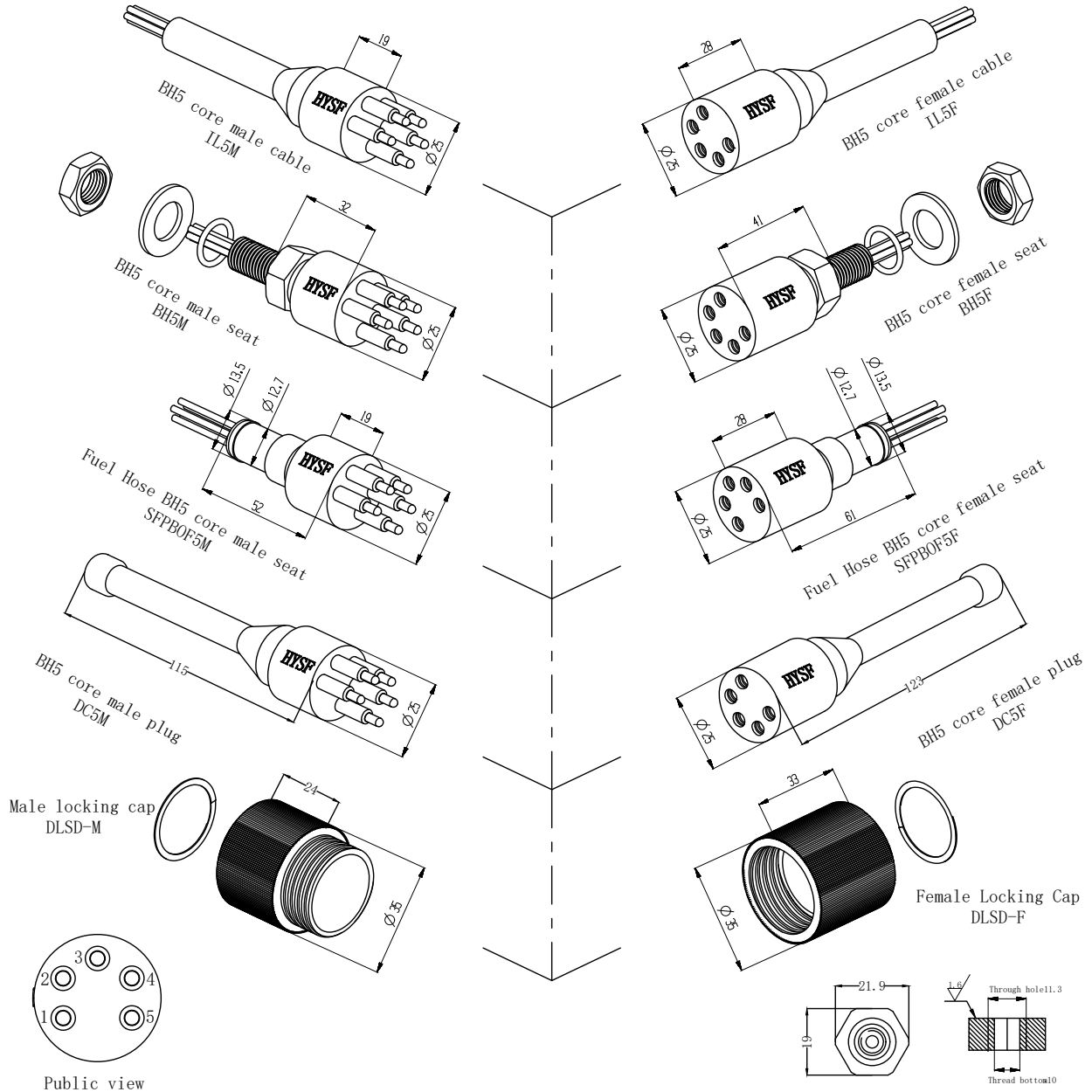
Thread unit: inch

Mounting thread: 7/16-20UNF-2A

Thread length: 19mm

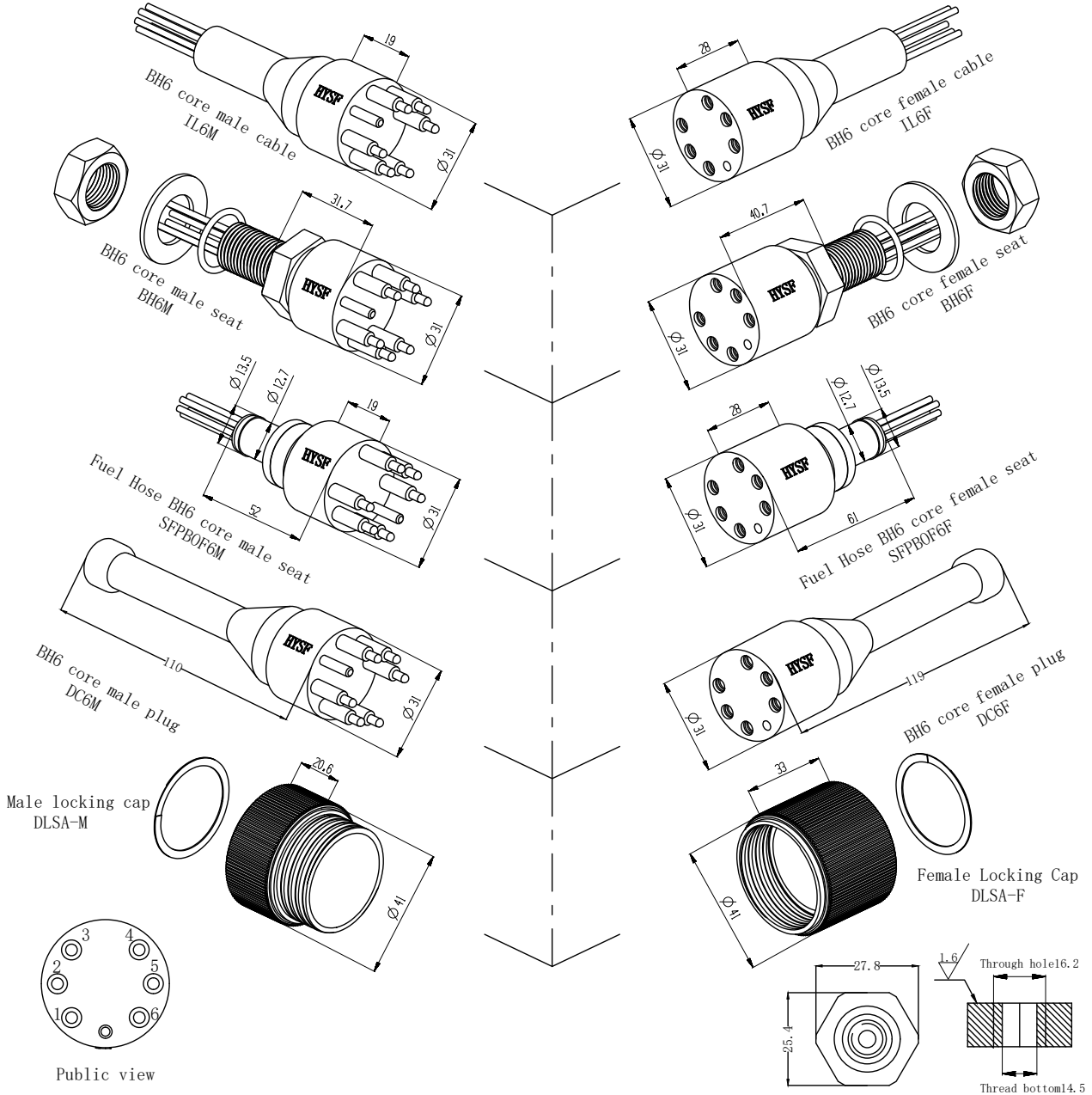
Can be customized upon request

Standard 5-core watertight connector



<p>BH5-core cable plug Color:</p> <table border="1"> <tr> <td>1: Red</td> <td>2: Black</td> </tr> <tr> <td>3: Yellow</td> <td>4: Blue</td> </tr> <tr> <td colspan="2">5: Brown</td> </tr> </table>	1: Red	2: Black	3: Yellow	4: Blue	5: Brown		<p>Main parameters:</p> <p>Electrical parameters of BH5-core: 550V @ 10A Insulation resistance: >200 MΩ contact resistance: <0.01 Ω Wet plug and pull times: >500次 Operating temperature: -60° ~ +80° C Working depth: 6000M(60 MPa)</p>	<p>Material parameters:</p> <p>Plug body: Neoprene Socket body: 316L stainless steel、Titanium alloy、Sea copper Cable body: Polyurethane、Neoprene Needle core: Copper gilding Installation requirements: Installation radius: 12.8 Surface finish: Ra1.6</p>	<p>Dimension units: millimeter Thread unit: inch Mounting thread: 7/16-20UNF-2A Thread length: 19mm Can be customized upon request</p>
1: Red	2: Black								
3: Yellow	4: Blue								
5: Brown									

Standard 6-core watertight connector



BH6-core cable plug Color:

1: Red	2: Black
3: Yellow	4: blue
5: Orange	6: Brown

Main parameters:

Electrical parameters of
 BH6-core: 550V @ 10A
 Insulation resistance: >200 MΩ
 contact resistance: <0.01 Ω
 Wet plug and pull times: >500次
 Operating temperature: -60° ~ +80° C
 Working depth: 6000M(60 MPa)

Material parameters:

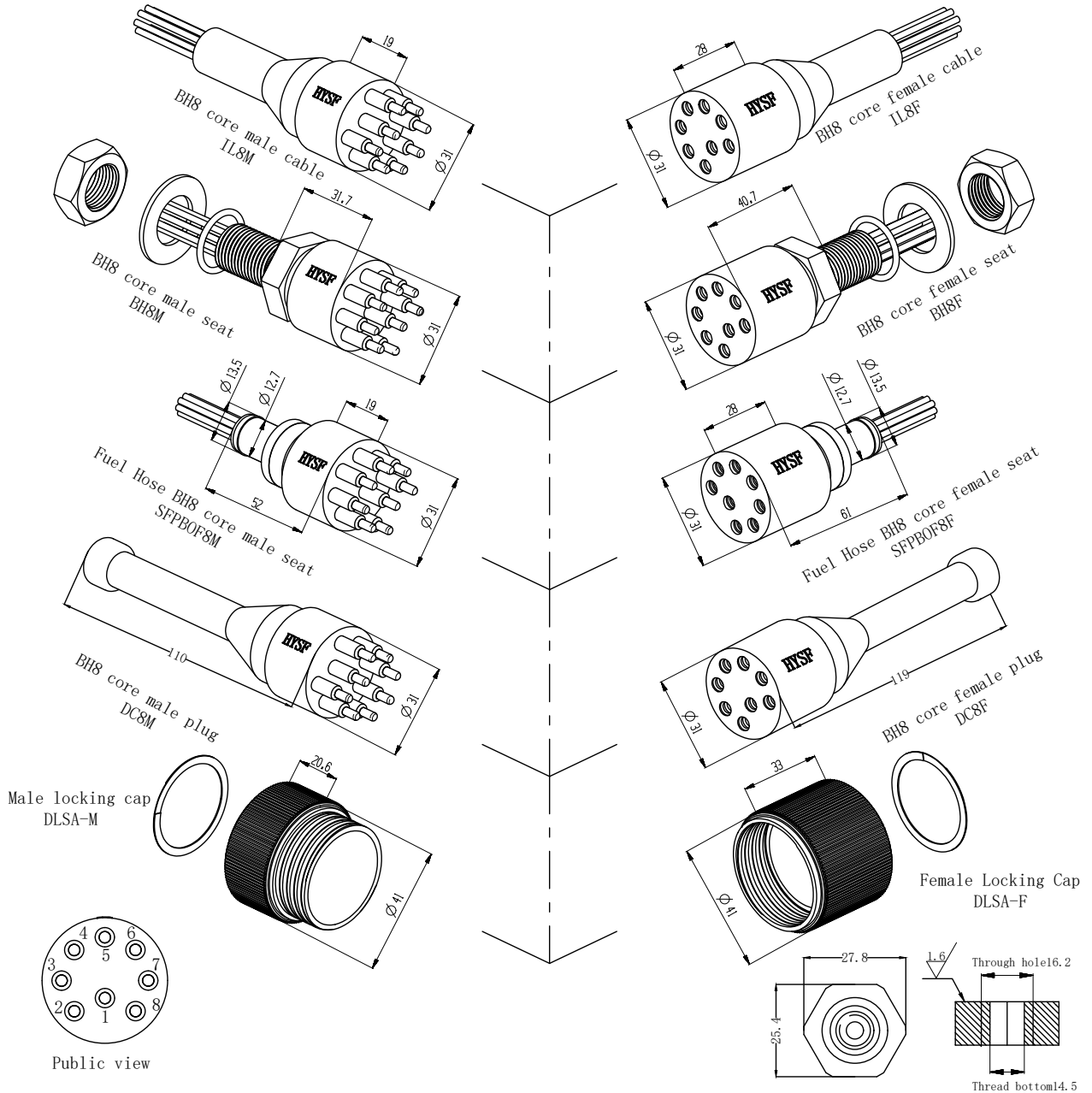
Plug body: Neoprene
 Socket body: 316L stainless steel,
 Titanium alloy, Sea copper
 Cable body: Polyurethane, Neoprene
 Needle core: Copper gilding
 Installation requirements:
 Installation radius: 21.9
 Surface finish: Ra1.6

Dimension units: millimeter

Thread unit: inch
 Mounting thread: 5/8-18UNF-2A
 Thread length: 19mm

Can be customized upon request

Standard 8-core watertight connector



BH8-core cable plug Color:

- 1: Red 2: Black
- 3: Yellow 4: Blue
- 5: Orange 6: Brown
- 7: Purple 8: Green

Main parameters:

Electrical parameters of
 BH8-core: 550V @ 10A
 Insulation resistance: >200 MΩ
 contact resistance: <0.01 Ω
 Wet plug and pull times: >500次
 Operating temperature: -60° ~ +80° C
 Working depth: 6000M(60 MPa)

Material parameters:

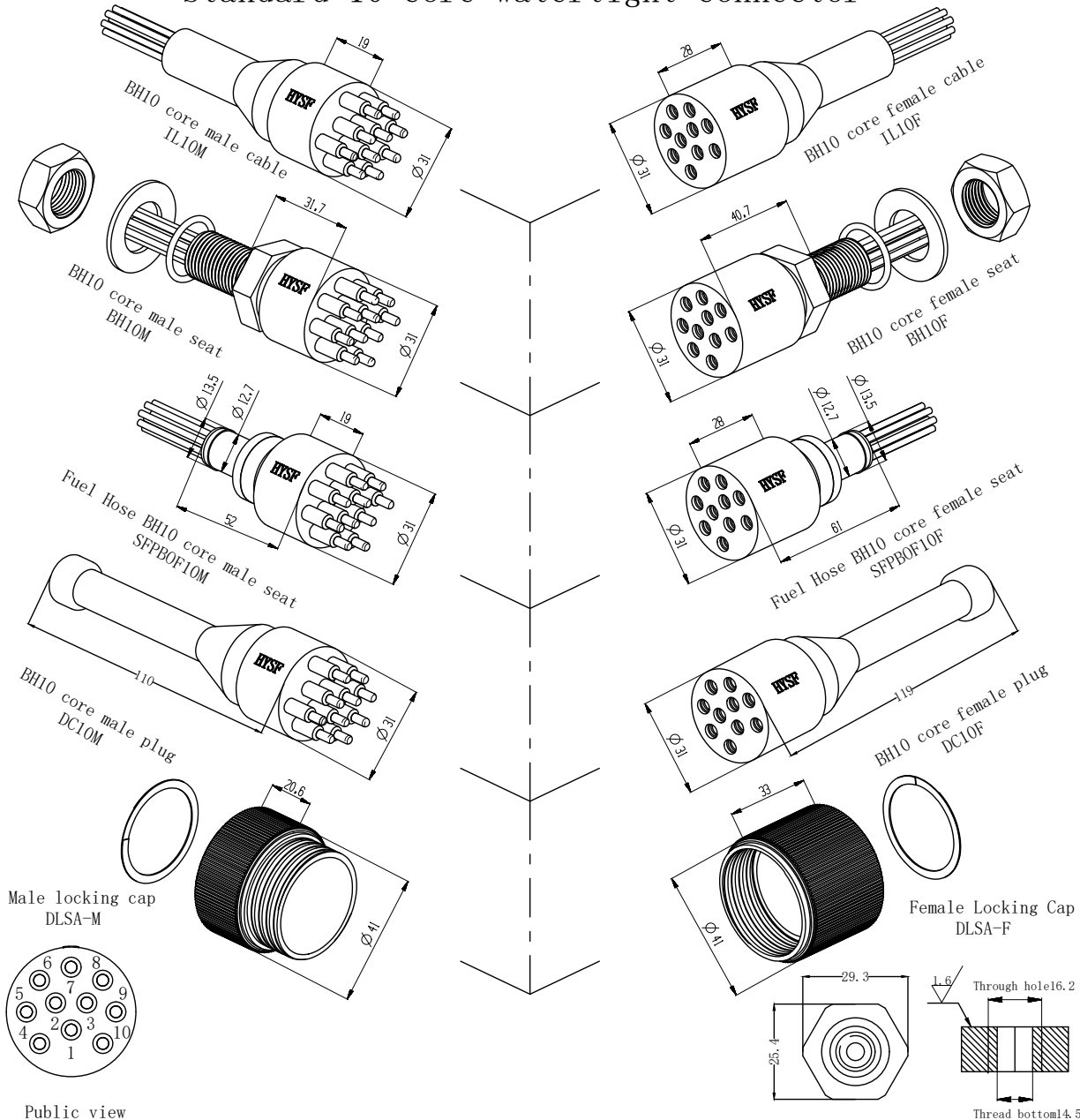
Plug body: Neoprene
 Socket body: 316L stainless steel,
 Titanium alloy, Sea copper
 Cable body: Polyurethane, Neoprene
 Needle core: Copper gilding
 Installation requirements:
 Installation radius: 21.9
 Surface finish: Ra1.6

Dimension units: millimeter

Thread unit: inch
 Mounting thread: 5/8-18UNF-2A
 Thread length: 19mm

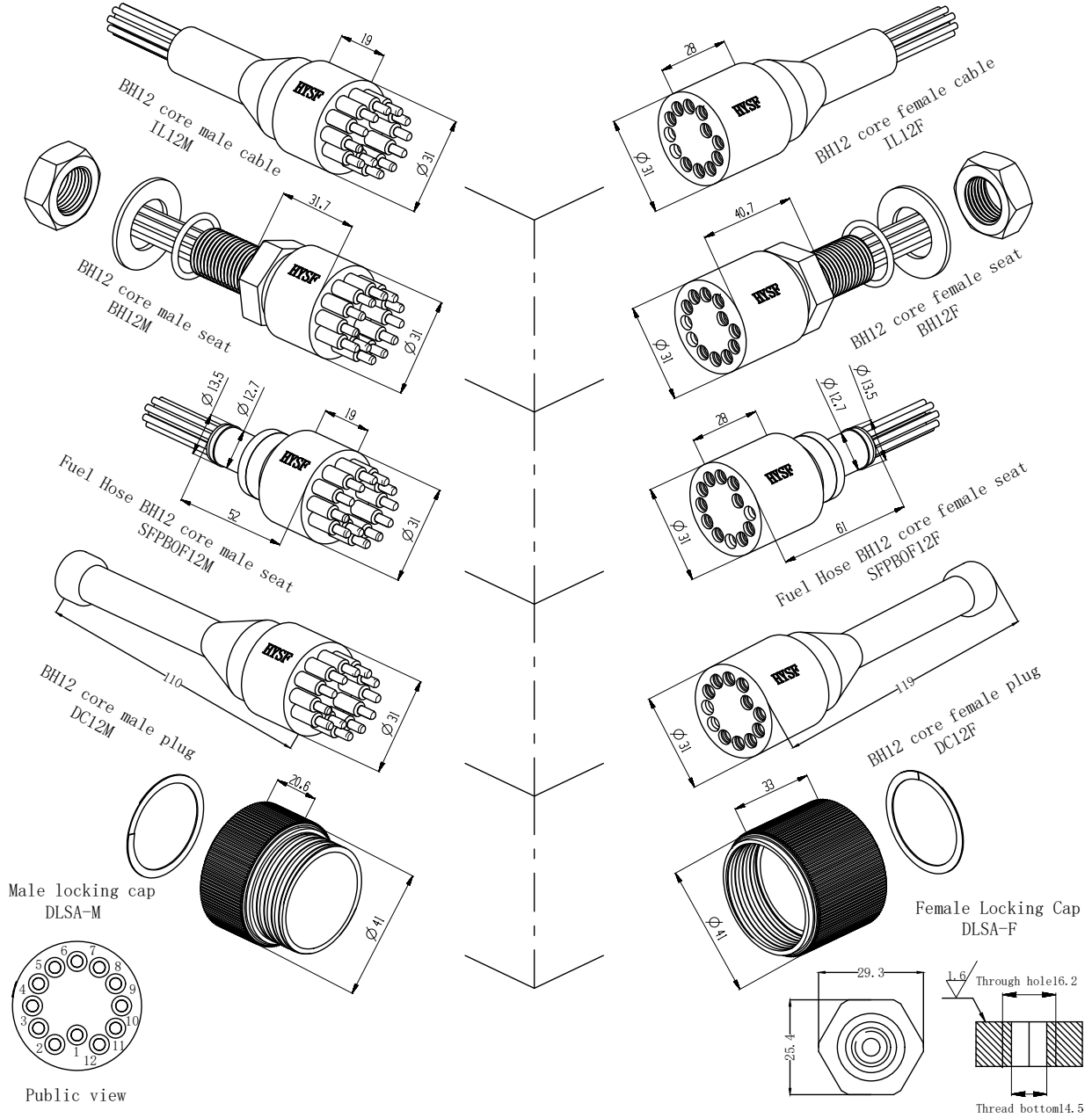
Can be customized upon request

Standard 10-core watertight connector



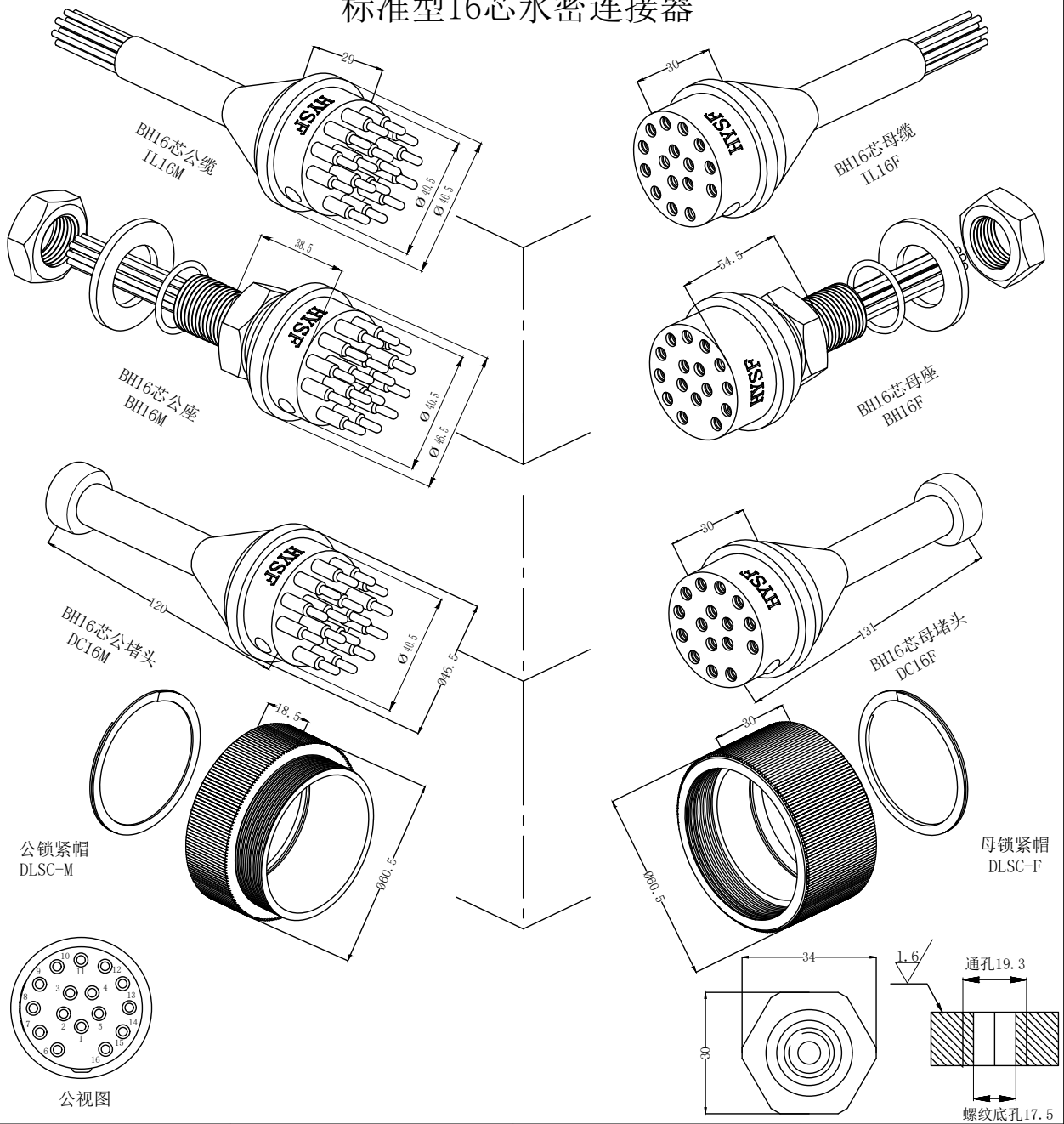
<p>BH10-core cable plug Color:</p> <p>1: Red 2: Red and white 3: Black 4: Black and white 5: Yellow 6: Yellow and white 7: Blue 8: Blue and white 9: Orange 10: Orange and white</p>	<p>Main parameters:</p> <p>Electrical parameters of BH10-core: 550V @ 10A Insulation resistance: >200 MΩ contact resistance: <0.01Ω Wet plug and pull times: >500次 Operating temperature: -60° ~ +80° C Working depth: 6000M(60 MPa)</p>	<p>Material parameters:</p> <p>Plug body: Neoprene Socket body: 316L stainless steel, Titanium alloy, Sea copper Cable body: Polyurethane, Neoprene Needle core: Copper gilding Installation requirements: Installation radius: 21.9 Surface finish: Ra1.6</p>	<p>Dimension units: millimeter Thread unit: inch Mounting thread: 5/8-18UNF-2A Thread length: 19mm</p> <p>Can be customized upon request</p>
---	---	---	---

Standard 12-core watertight connector



<p>BH12-core cable plug Color:</p> <table border="1"> <tr> <td>1: Red</td> <td>2: Red and white</td> </tr> <tr> <td>3: Black</td> <td>4: Black and white</td> </tr> <tr> <td>5: Yellow</td> <td>6: Yellow and white</td> </tr> <tr> <td>7: Blue</td> <td>8: Blue and white</td> </tr> <tr> <td>9: Orange</td> <td>10: Orange and white</td> </tr> <tr> <td>11: Brown</td> <td>12: Brown and white</td> </tr> </table>	1: Red	2: Red and white	3: Black	4: Black and white	5: Yellow	6: Yellow and white	7: Blue	8: Blue and white	9: Orange	10: Orange and white	11: Brown	12: Brown and white	<p>Main parameters:</p> <p>Electrical parameters of BH12-core: 550V @ 10A Insulation resistance: >200 MΩ contact resistance: <0.01 Ω Wet plug and pull times: >500次 Operating temperature: -60° ~ +80° C Working depth: 6000M(60 MPa)</p>	<p>Material parameters:</p> <p>Plug body: Neoprene Socket body: 316L stainless steel, Titanium alloy, Sea copper Cable body: Polyurethane, Neoprene Needle core: Copper gilding Installation requirements: Installation radius: 21.9 Surface finish: Ra1.6</p>	<p>Dimension units: millimeter Thread unit: inch Mounting thread: 5/8-18UNF-2A Thread length: 19mm Can be customized upon request</p>
1: Red	2: Red and white														
3: Black	4: Black and white														
5: Yellow	6: Yellow and white														
7: Blue	8: Blue and white														
9: Orange	10: Orange and white														
11: Brown	12: Brown and white														

标准型16芯水密连接器



BH16芯带缆插头颜色:

1:红	2:红白	3:黑	4:黑白
5:黄	6:黄白	7:蓝	8:蓝白
9:橙	10:橙白	11:棕	12:棕白
13:紫	14:紫白	15:绿	16:绿白

主要参数:

BH16芯电气参数: 550V @ 10A
 绝缘电阻: >200 MΩ
 接触电阻: <0.01 Ω
 湿插拔次数: >500次
 工作温度: -60° ~ +80° C
 工作深度: 6000米 (60 MPa)

材料参数:

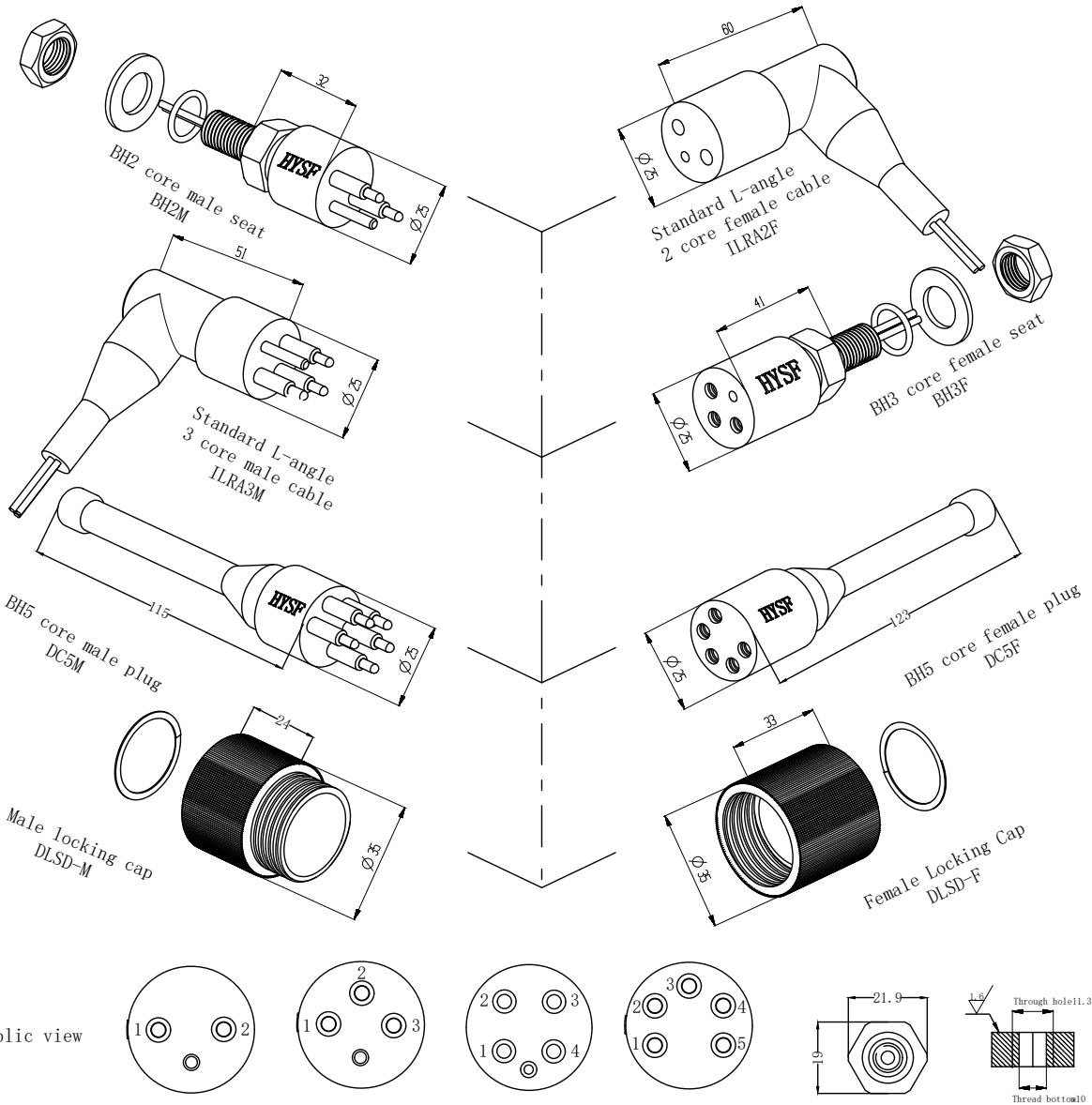
插头主体: 氯丁橡胶
 插座主体: 316L不锈钢、钛合金、海铜
 电缆主体: 聚氨酯、氯丁橡胶
 针芯: 铜镀金
 安装要求:
 安装半径: 32.3
 表面光洁度: Ra1.6

尺寸单位: 毫米

螺纹单位: 英寸
 安装螺纹: 3/4-16UNF-2A
 螺纹长度: 25mm

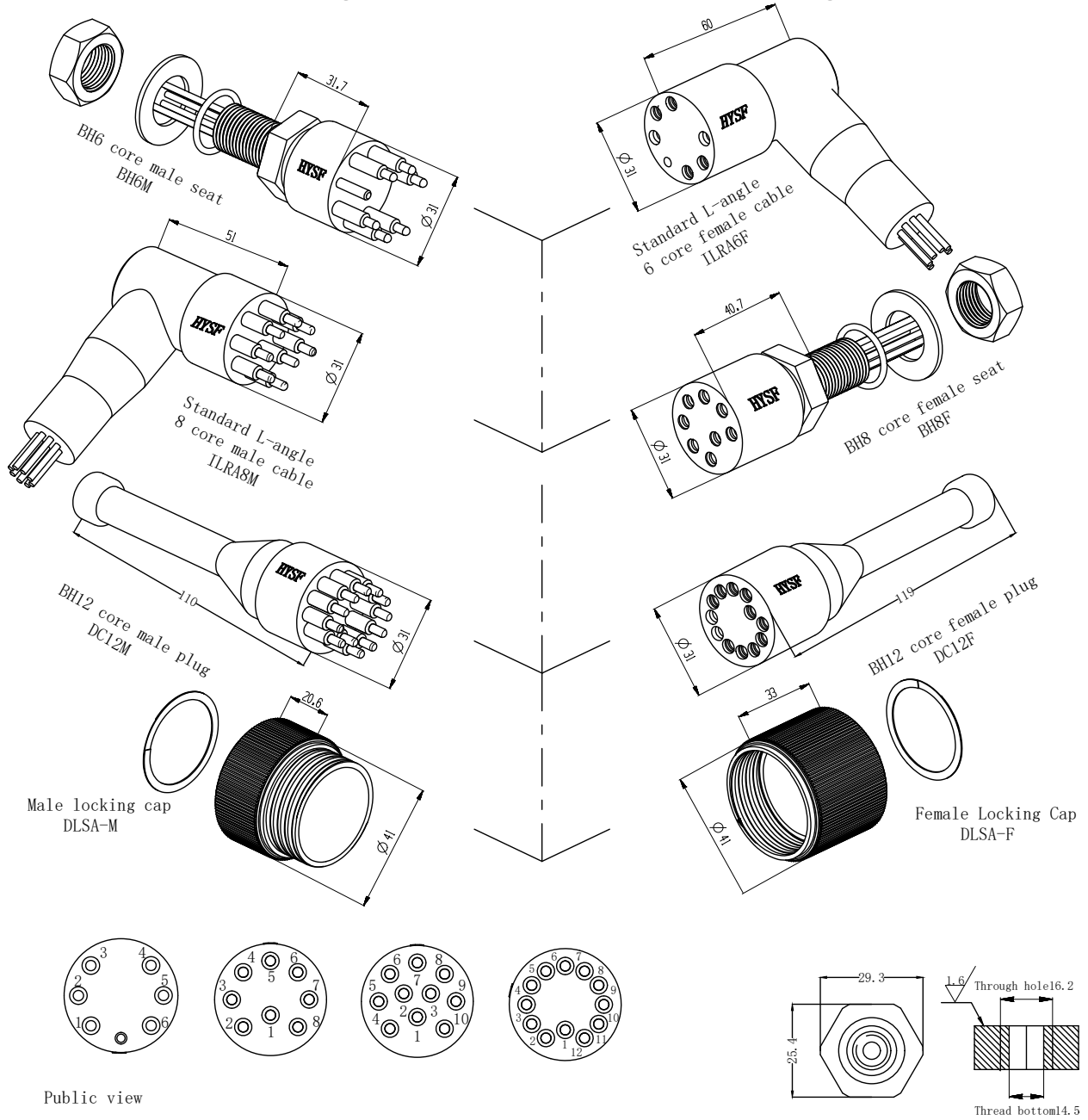
可根据要求定制

Standard L-angle cable 2-5 core watertight connector



<p>L Angle cable plug color: Same as standard watertight connector</p>	<p>Main parameters:</p> <p>Electrical parameters of 2-5core: 550V @ 10A Insulation resistance: >200 MΩ contact resistance: <0.01Ω Wet plug and pull times: >500次 Operating temperature: -60° ~ +80° C Working depth: 6000M(60 MPa)</p>	<p>Material parameters:</p> <p>Plug body: Neoprene Cable body: Polyurethane、Neoprene Needle core: Copper gilding Installation requirements: Installation radius: 12.8 Surface finish: Ra1.6</p>	<p>Dimension units: millimeter Can be customized upon request</p>
--	---	---	---

Standard L-angle cable 6-12 core watertight connector



<p>L Angle cable plug color: Same as standard watertight connector</p>	<p>Main parameters: Electrical parameters of 6-12core: 550V @ 10A Insulation resistance: >200 MΩ contact resistance: <0.01 Ω Wet plug and pull times: >500次 Operating temperature: -60° ~ +80° C Working depth: 6000M(60 MPa)</p>	<p>Material parameters: Plug body: Neoprene Cable body: Polyurethane、Neoprene Needle core: Copper gilding Installation requirements: Installation radius: 21.9 Surface finish: Ra1.6</p>	<p>Dimension units: millimeter Can be customized upon request</p>
--	--	--	---