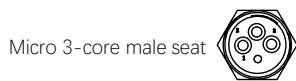
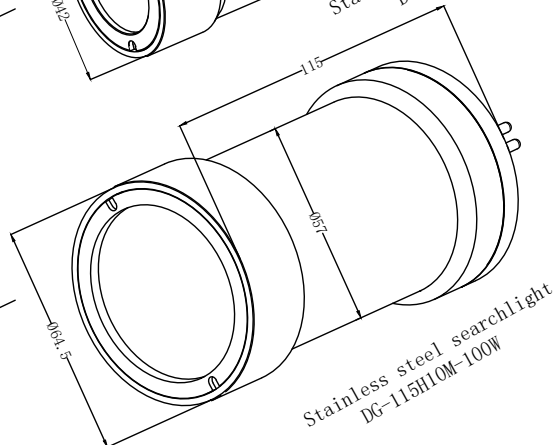
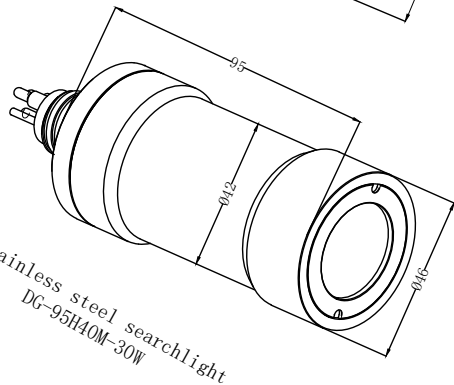
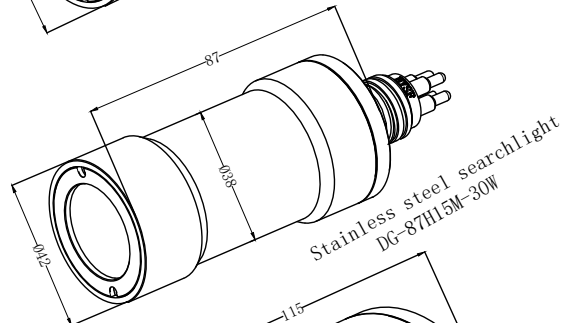
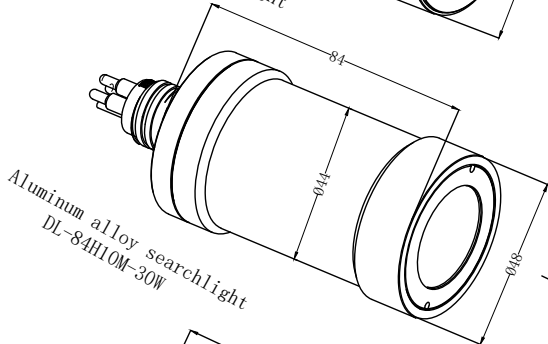
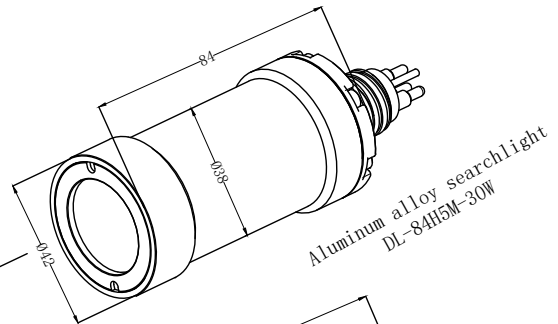
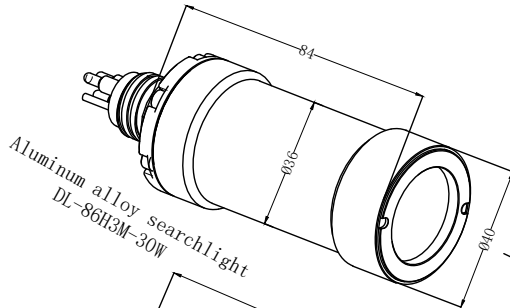


Underwater searchlight



Shell material: Black hard anodized aluminum

316L stainless steel

Underwater searchlight

Working voltage: 12-24V
Working current: 1~3A
Power: 20W or 30W
Working temperature: -40 °C ~ +80 °C
Dimming: PWM dimming
Connection method: MCBH3M
Note: Prohibited for use in the air

Product Name	Shell Material	Depth Grade	weight
DL-86H3M-30W	black hard anodized aluminum	300 meters (3Mpa)	200g
DL-84H5M-30W	black hard anodized aluminum	500 meters (5Mpa)	226g
DL-84H10M-30W	black hard anodized aluminum	1000 meters (10Mpa)	314g
DG-87H15M-30W	316L	1500m (15Mpa)	787g
DG-95H40M-30W	316L	4000m (40Mpa)	787g
DG-115H10M-100W	316L	1000m (10Mpa)	1489g